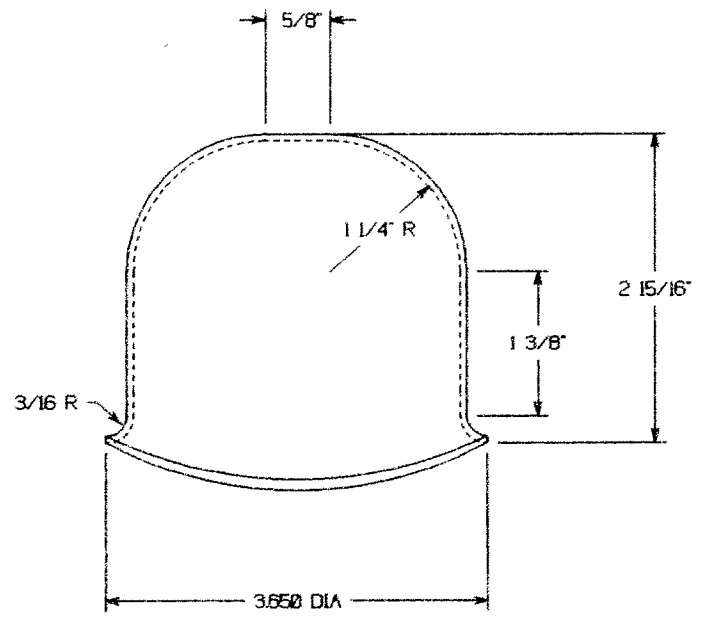


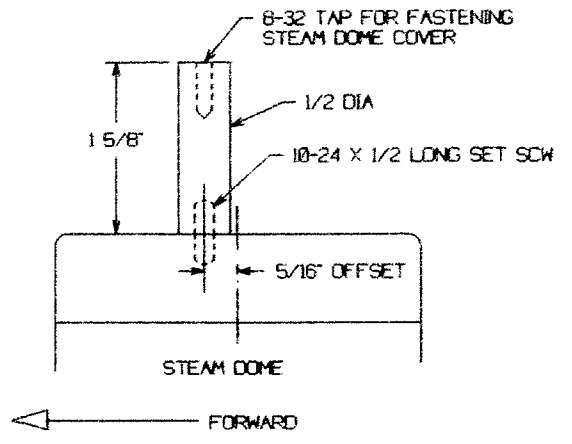
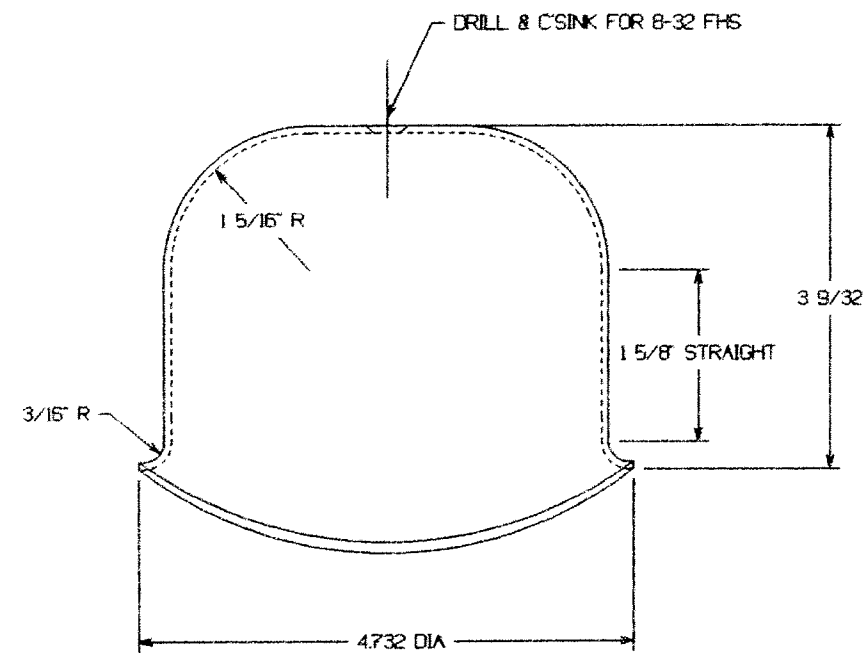
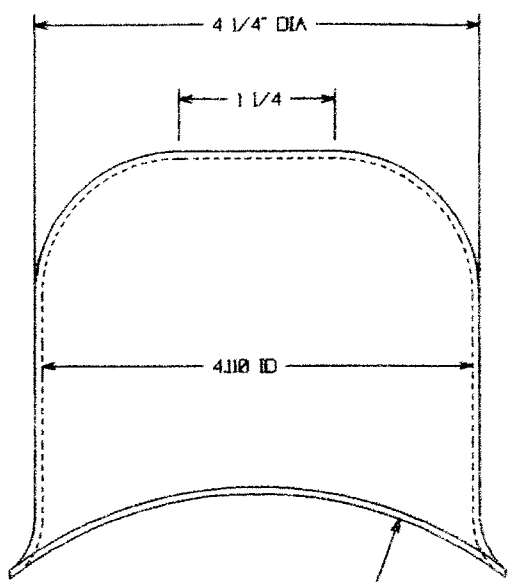
3 7/8 R OF BOILER LAGGING

SAND DOME
MAKE FROM 3" SCH 40 PIPE



3 7/8 R OD OF BOILER LAGGING

STEAM DOME COVER
MAKE FROM 4" SCH 40 STEEL PIPE



DOME COVERS
1 1/2 LIGHT MOGUL
SHEET 47'

DRAWN BY PAUL F BRIEN JANUARY 1999