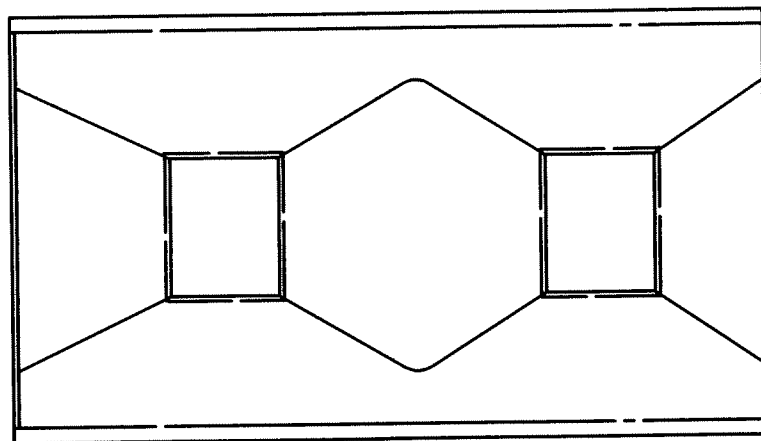
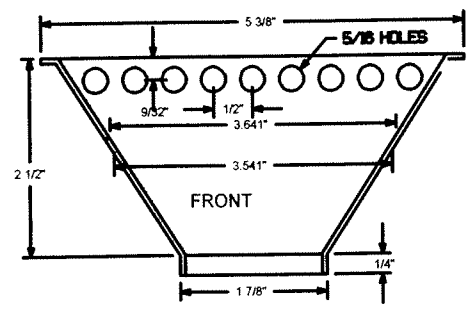
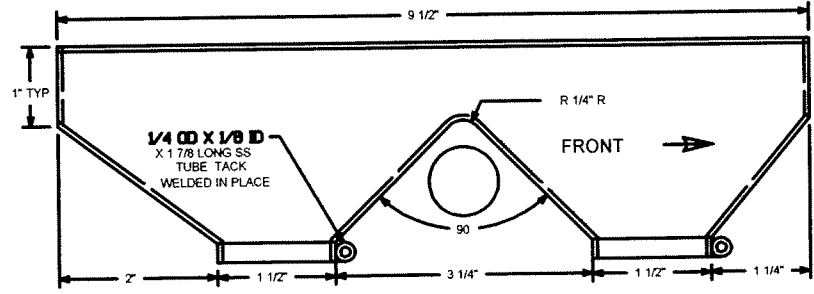
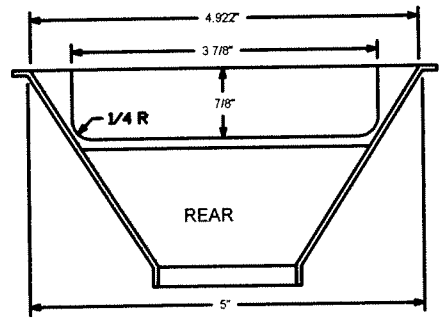
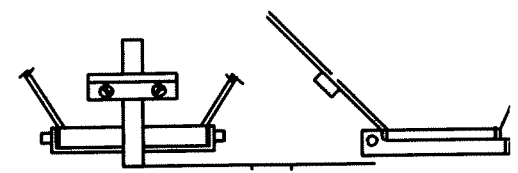


DUMP DOOR 2 REQD
1/16 STAINLESS



ASH PAN ASSY
1 1/2" LIGHT MOGUL
SHEET 31 B

DRAWN BY PAUL F BRIEN DECEMBER 1988



ASH PAN 1/16 STAINLESS STEEL