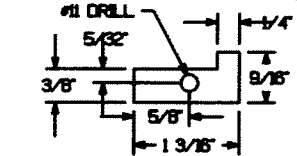


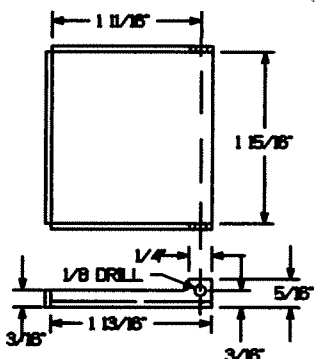
**ASH PAN ASSY
1 1/2" LIGHT MOGUL
SHEET 31**

DRAWN BY PAUL F BRIEN DECEMBER 1996

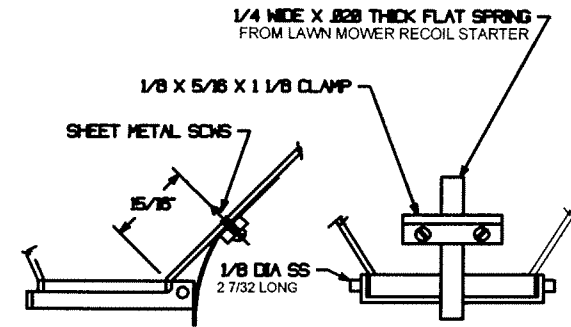
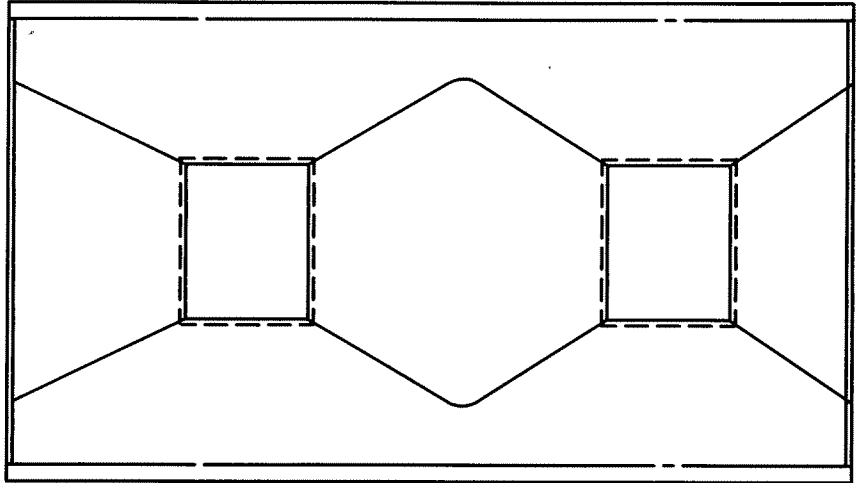


ASH PAN MOUNTING
CLIP 1/8 CRS
2 REQD

NOTE: THE ASH PAN HANGS LOOSE ON THE SHCS HEAD AND THE CLIP

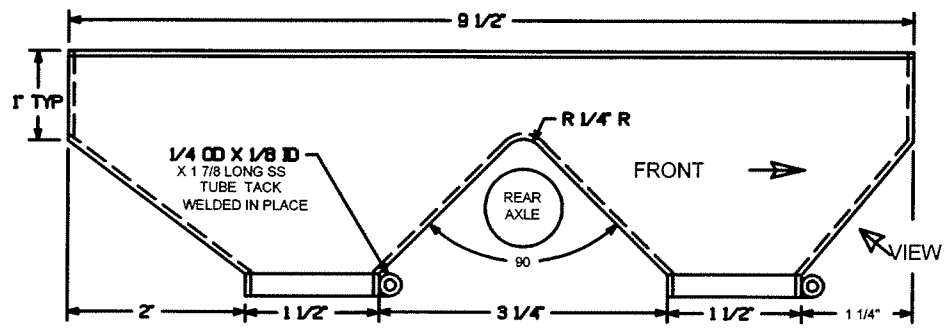
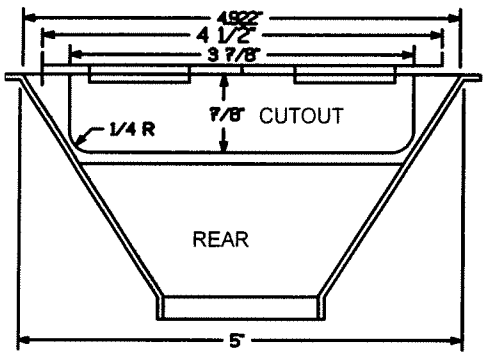


DUMP DOOR 2 REQD
1/16 STAINLESS



DUMP DOOR LATCH ASSY.
VIEW A

TOGGLE ACTION OF SPRING WILL KEEP DOOR CLOSED OR OPEN



ASH PAN 1/16 STAINLESS STEEL

