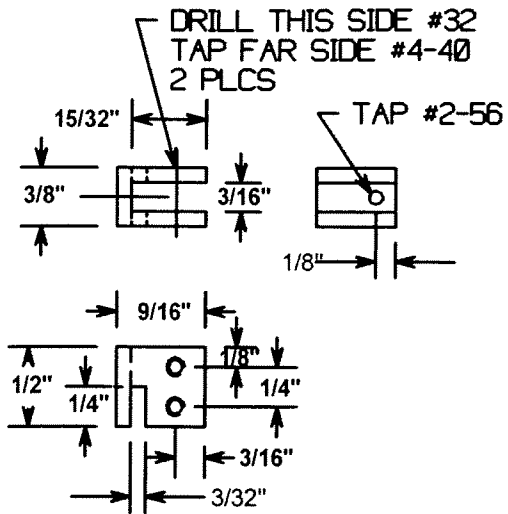
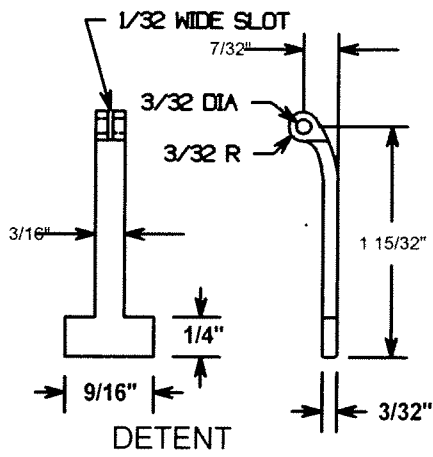


REVERSE STAND
1 1/2" LIGHT MOGUL
SHEET 28

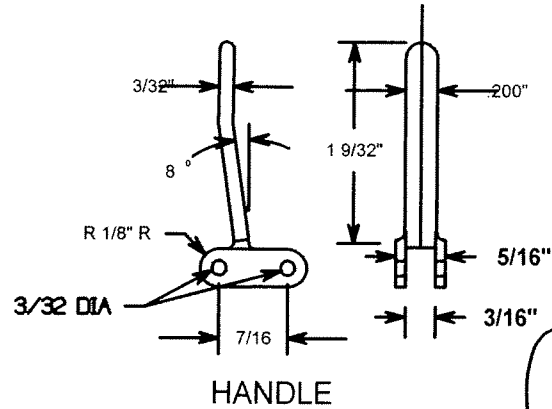
DRAWN BY PAUL F BRIEN OCT, 1996



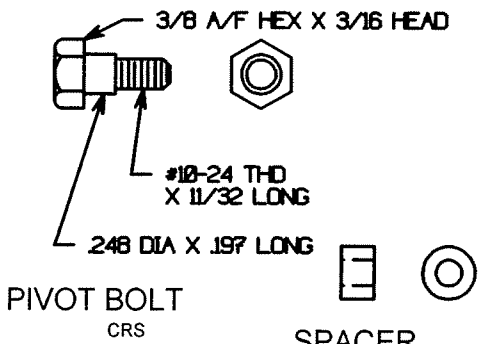
KEEPER



DETENT

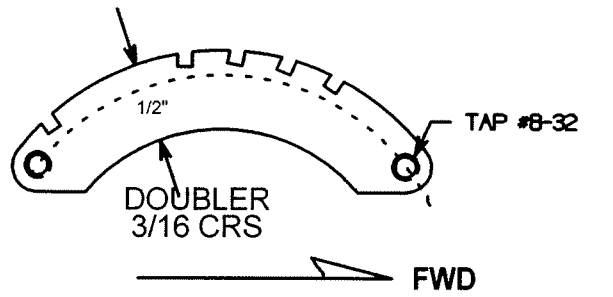


HANDLE

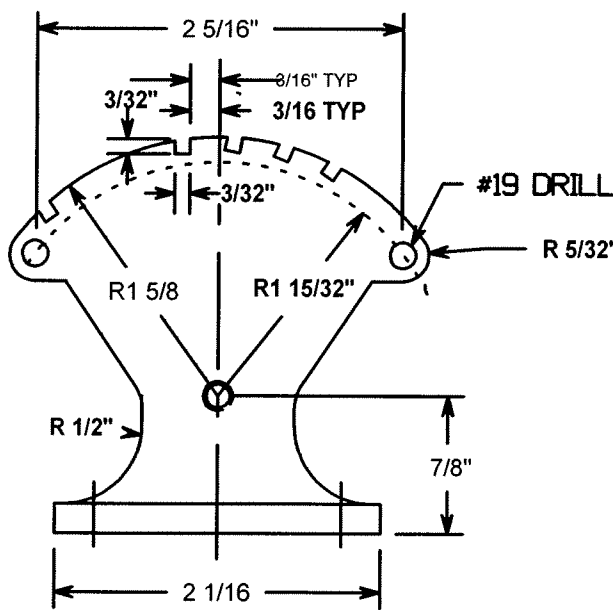


PIVOT BOLT
CRS

SPACER
.330 OD X .197 LONG
#19 DRILL

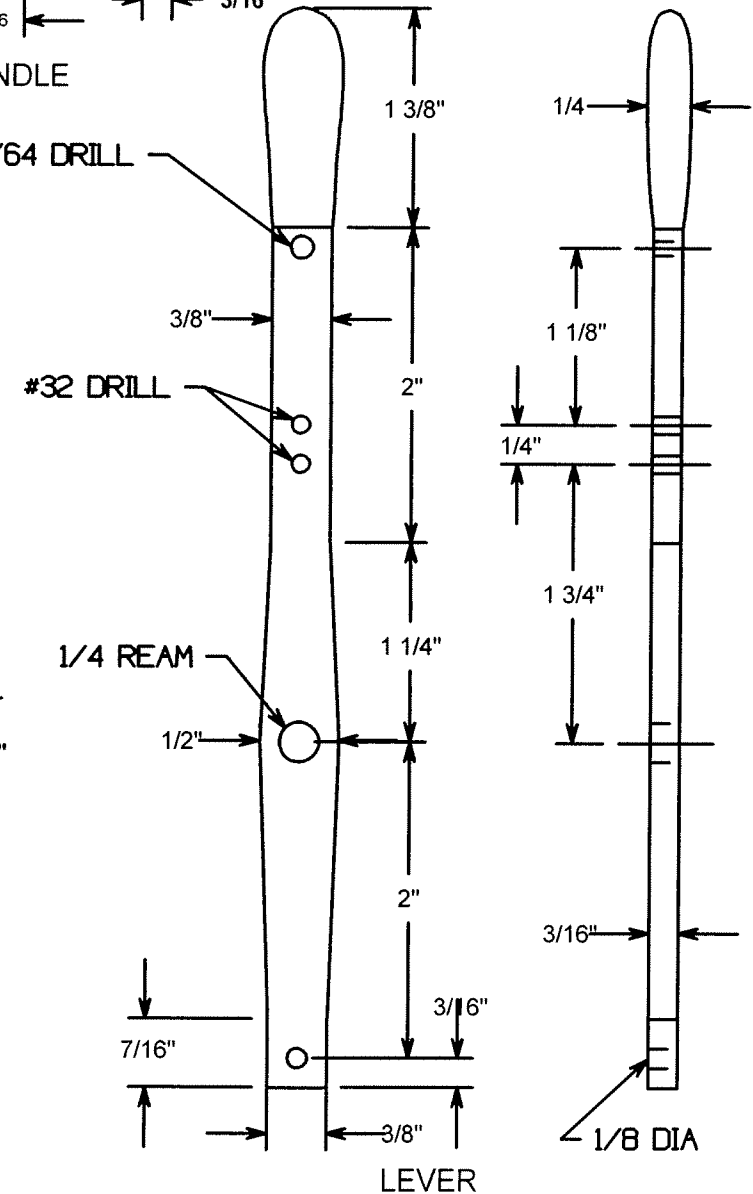


DOUBLER
3/16 CRS



REVERSE STAND

MAKE FROM 3/16 THICK LEG ANGLE IRON



LEVER

1/8 DIA