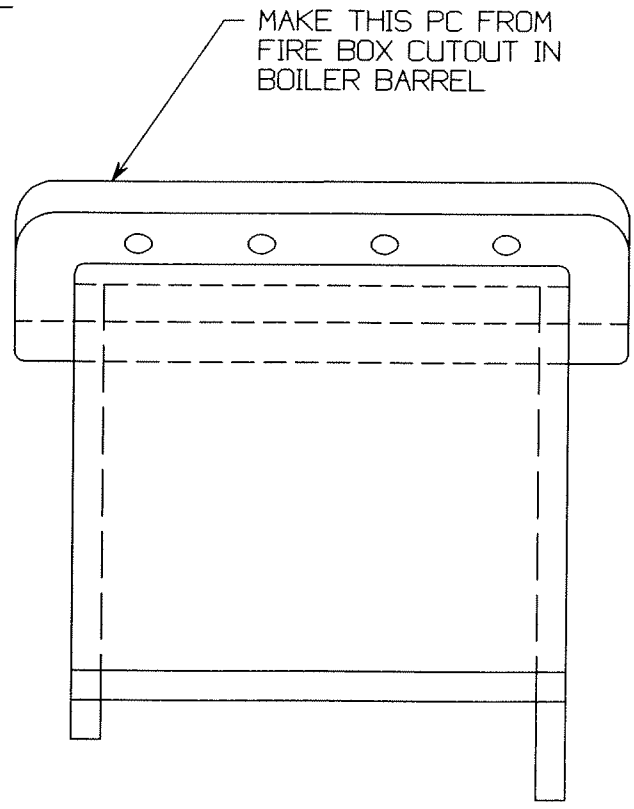
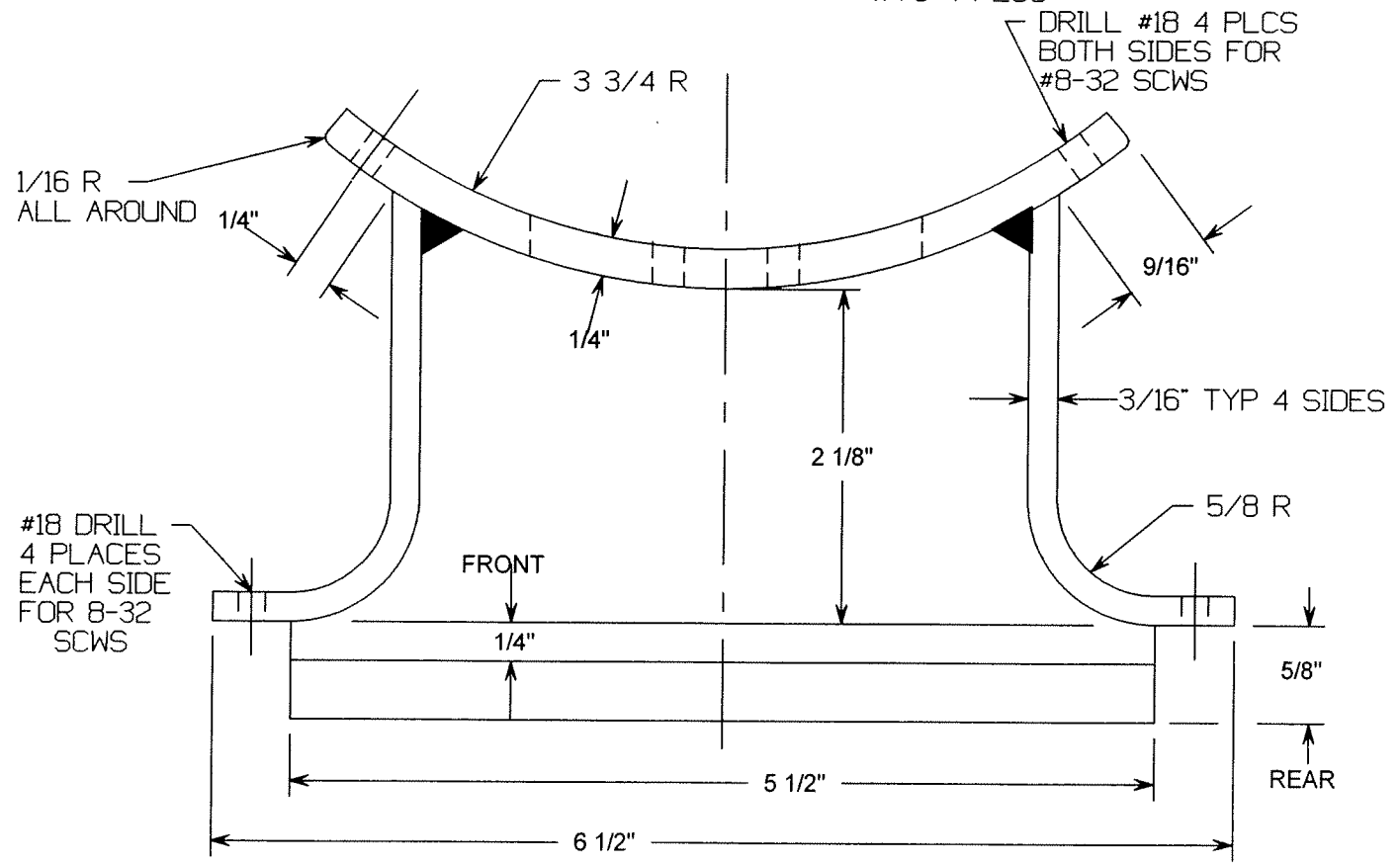


**SMOKE BOX SADDLE**  
**1 1/2" LIGHT MOGUL**  
**SHEET 27**

DRAWN BY PAUL F BRIEN MARCH 1996



**SMOKE BOX SADDLE**  
**M. S. 1 REQD**