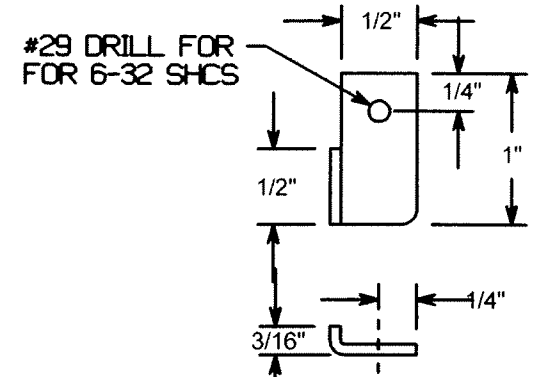
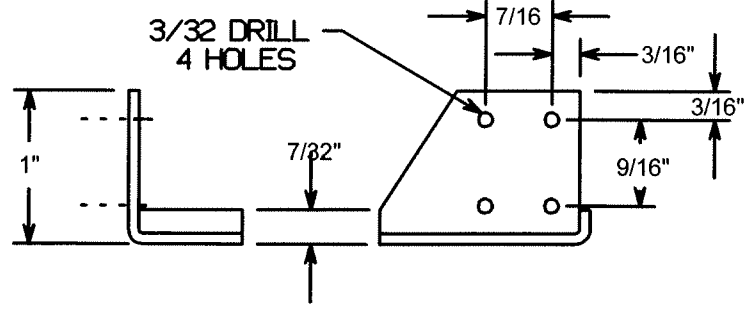
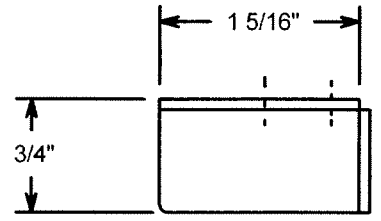
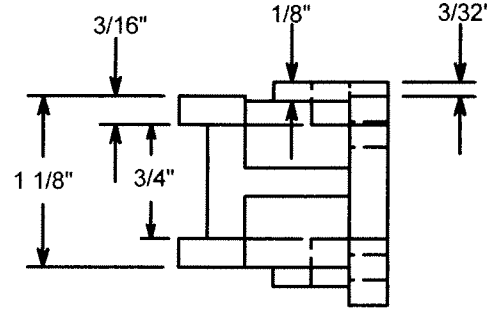
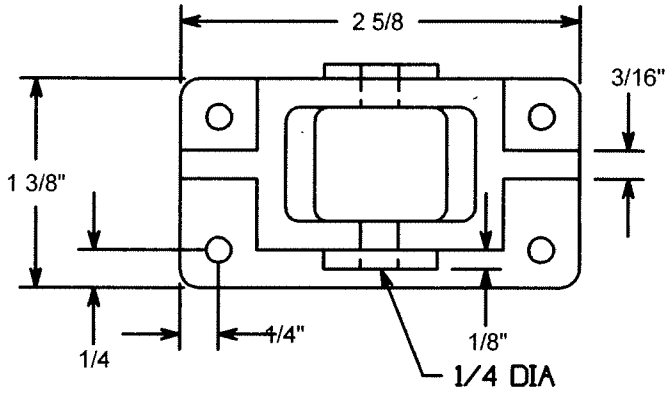


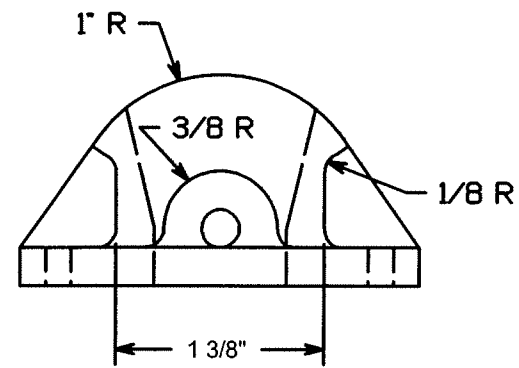
COUPLER POCKET PIN
CRS 1 REQD



PILOT STEP (B) $\varnothing 70$ CRS
1 RH & 1 LH REQD



PILOT STEP (A) $\varnothing 70$ (14 GA) CRS
1 RH & 1 LH REQD



FRONT COUPLER POCKET
ALUM OR STEEL 1 REQD

COUPLER POCKET & DETAILS
1 1/2 LIGHT MOGUL
SHEET 26