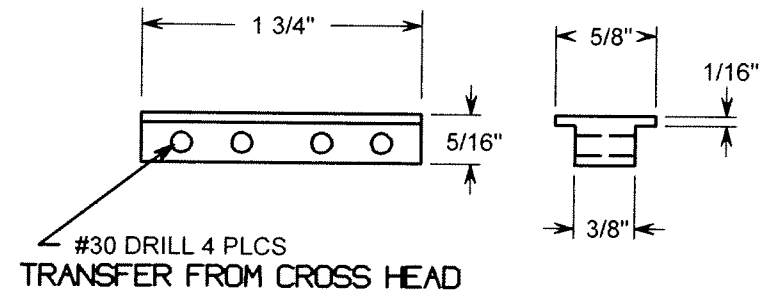
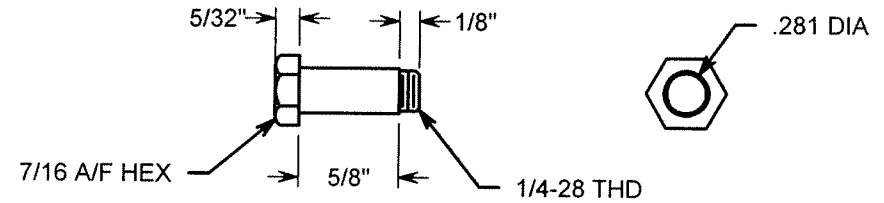


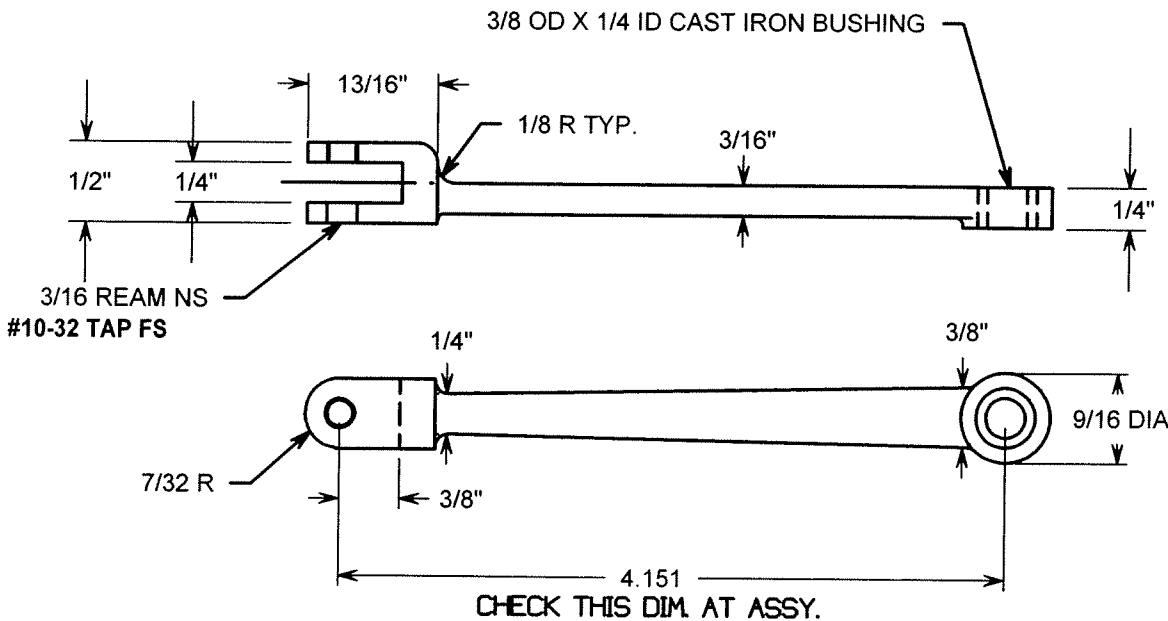
CROSS HEAD CRS 1 RH & 1 LH REQD



CROSS HEAD SLIPPER 2 REQD  
 NYLATRON TYPE NSM



CROSS HEAD BOLT DRILL ROD 2 REQD



ECCENTRIC ROD CRS 2 REQD.

CROSS HEAD & DTLS  
 1 1/2" LIGHT MOGUL  
 SHEET 25