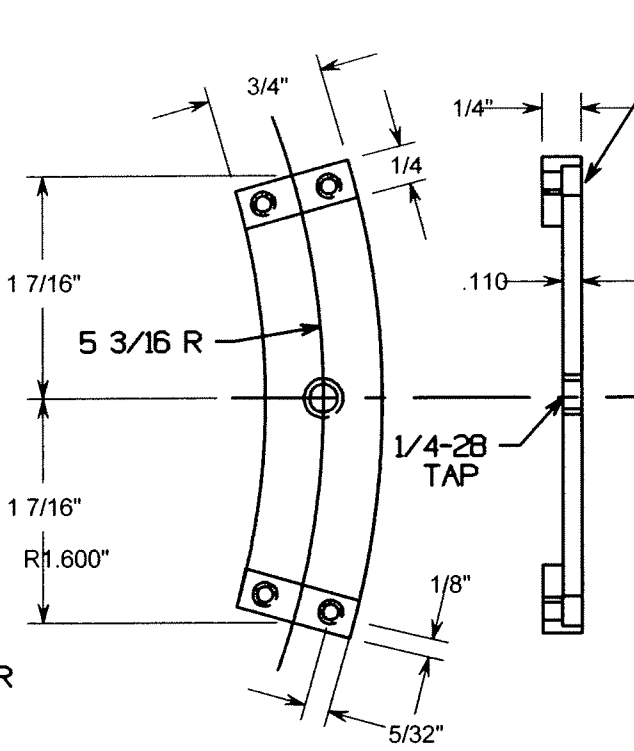
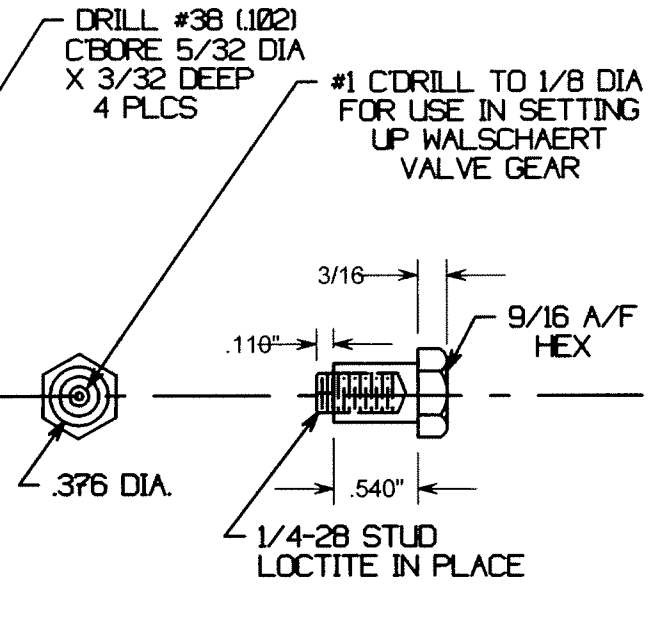


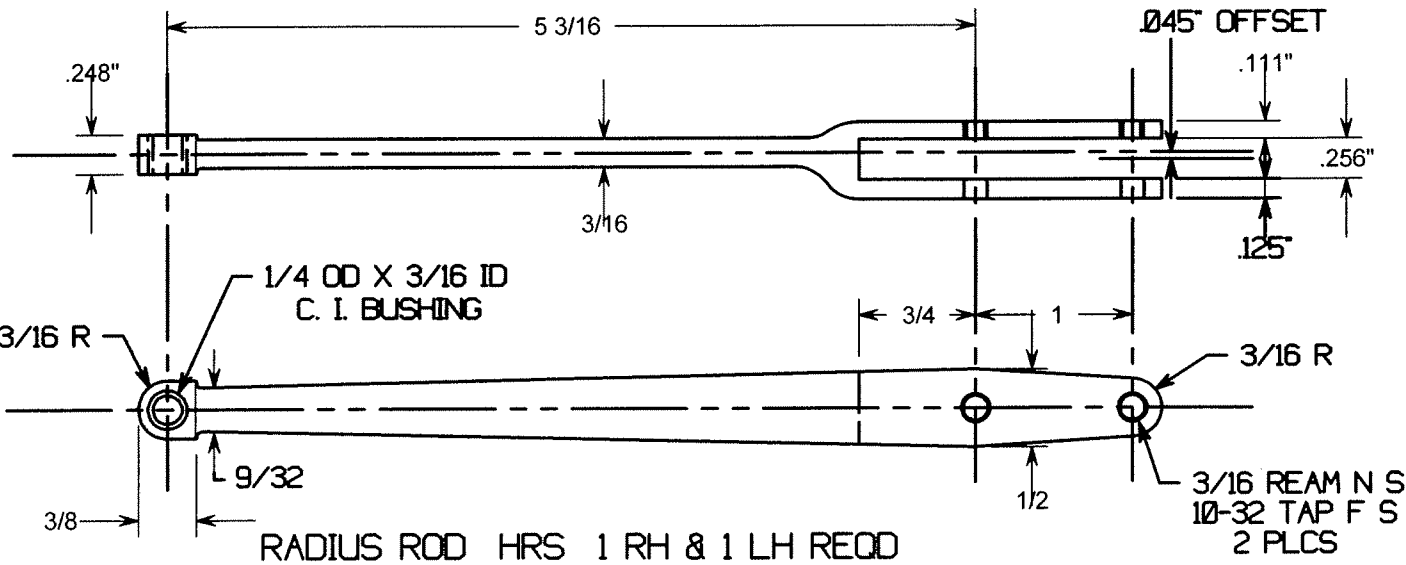
EXPANSION LINK 1/4 CRS 2 REOD



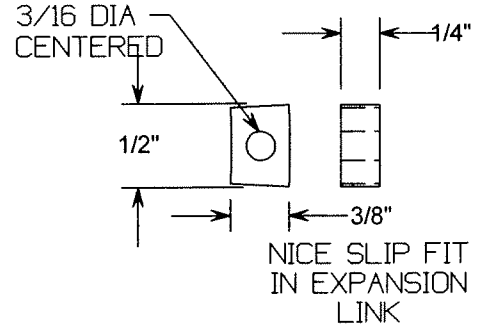
LINK SUPPORT HRS 2 REOD



PIVOT BOLT 2 REOD  
BODY DRILL ROD  
HARDEN BODY DRAW TO DEEP  
STRAW COLOR



RADIUS ROD HRS 1 RH & 1 LH REOD



DIE BLOCK NYLATRON 2 REOD

VALVE GEAR DTLS  
1 1/2" LIGHT MOGUL  
SHEET 22