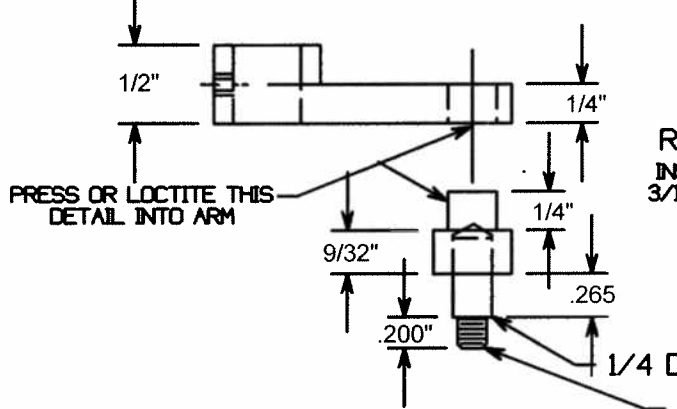
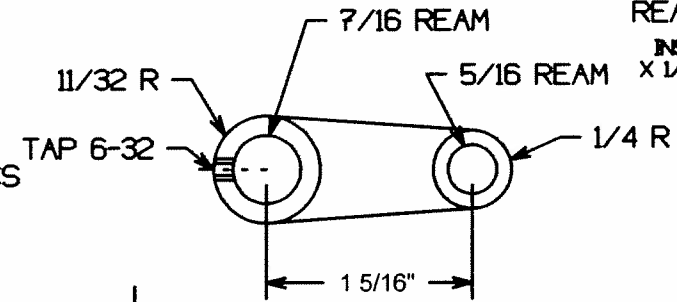
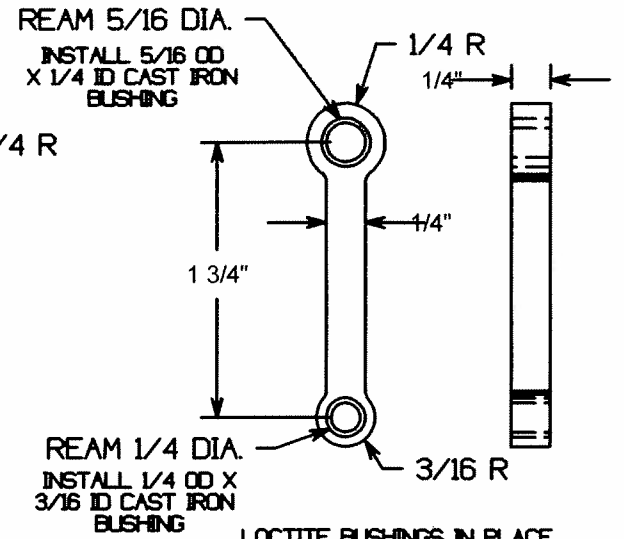


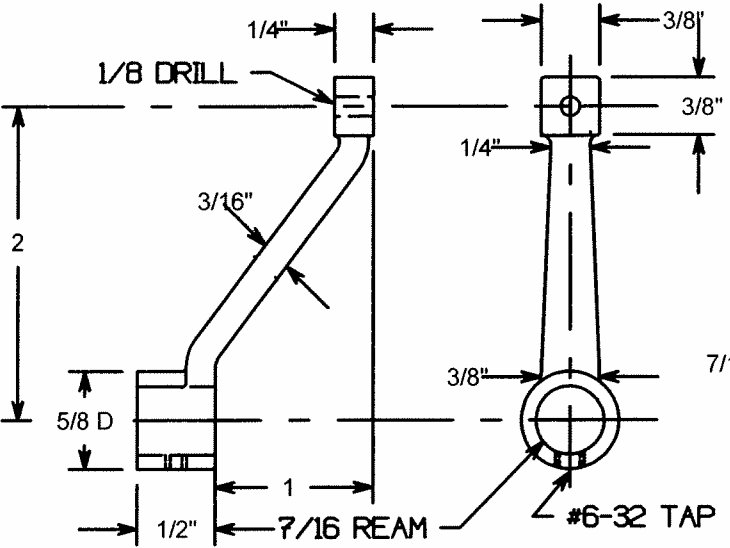
MOTION PLATE MOUNTING BKT 2 REQD



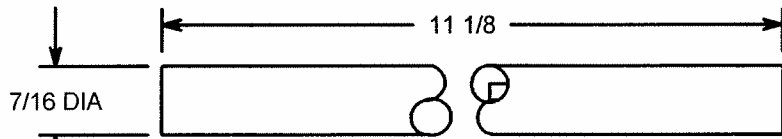
REVERSE ARM ASSY. CRS 2 REQD



LIFTING ARM CRS 2 REQD



TUMBLER SHAFT LEVER CRS 1 REQD



TUMBLER SHAFT CRS 1 REQD

VALVE GEAR DTLs
1 1/2" LIGHT MOGUL
SHEET 21