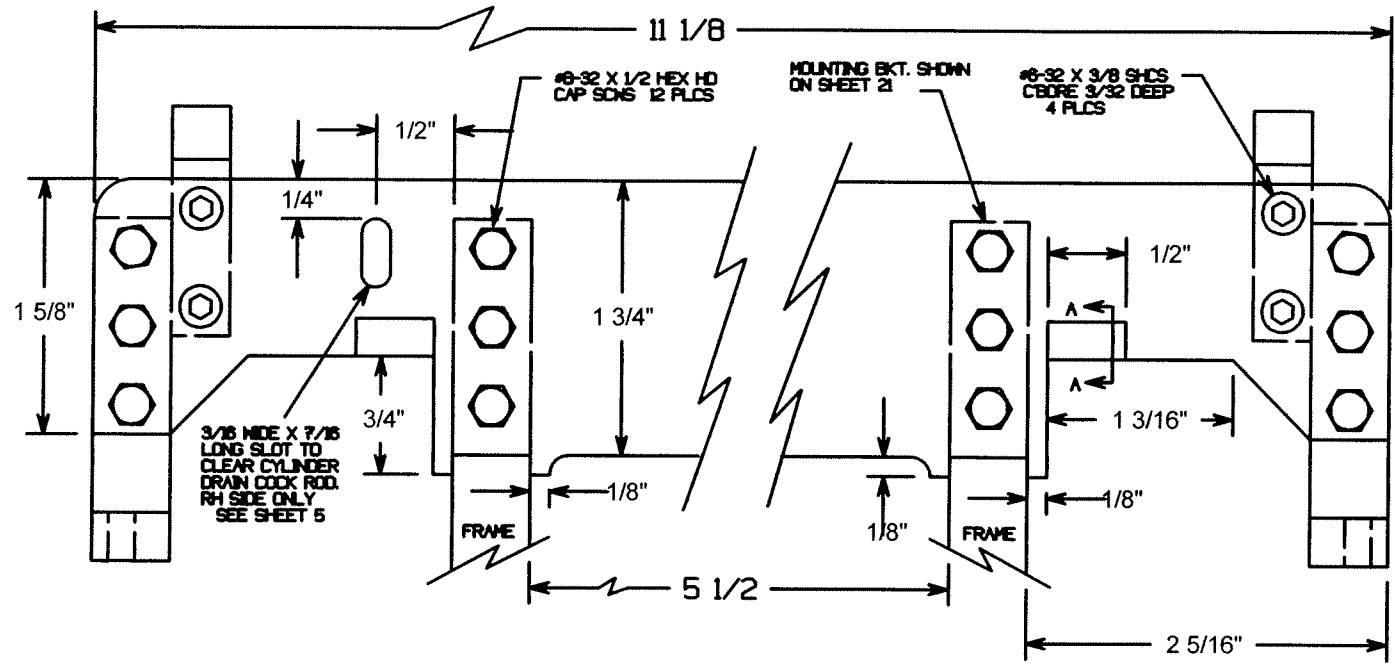
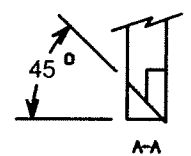
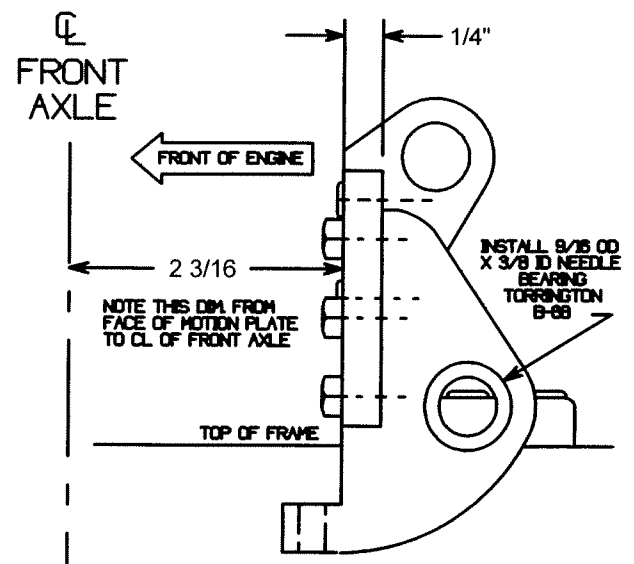


EXPANSION LINK TRUNION & GUIDE BAR SUPPORT CRS 1 RH & 1 LH REOD



MOTION PLATE CROSS MEMBER & ASSEMBLY 1 REOD



MOTION PLATE ASSY. 1 1/2" LIGHT MOGUL SHEET 20