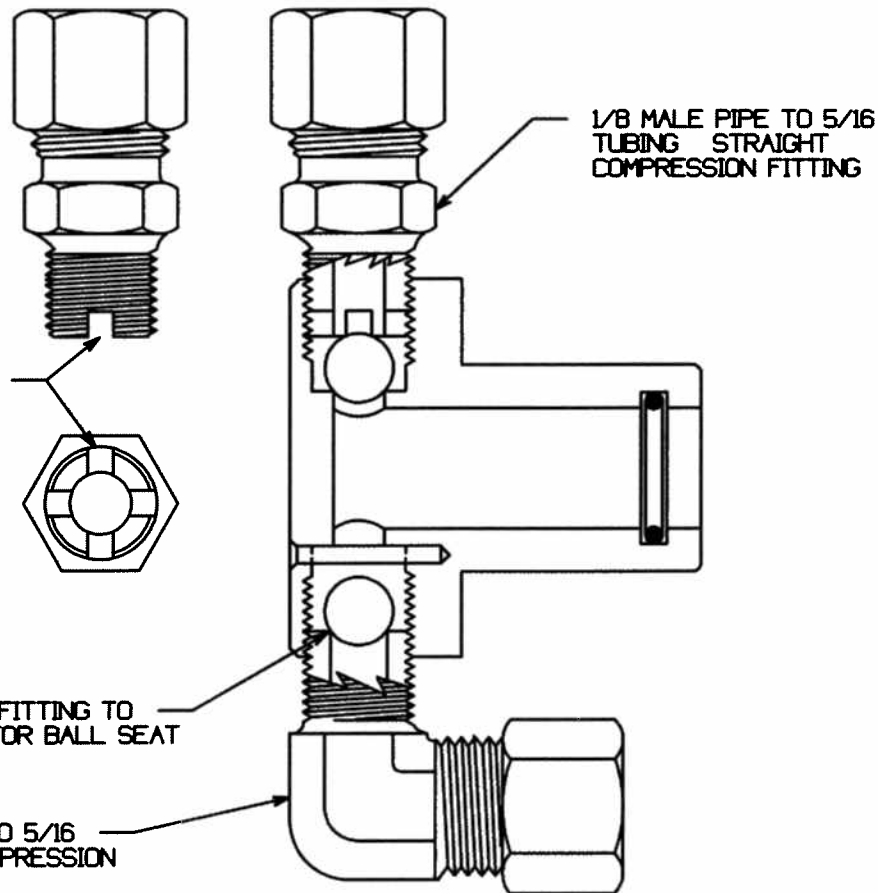


1/8 PIPE TAP 2 PLCS AXLE PUMP BODY BRONZE 2 REQD



NOTES:  
1/4" STAINLESS STEEL BALLS.  
SHOOT FOR 1/32 LIFT OF BALLS FROM SEAT.  
.003 MAX DIFFERENCE BETWEEN BORE AND  
RAM DIAMETERS.  
9/16 OD X 7/16 ID O RING

AXLE PUMP BODY AND ASSY.  
1 1/2" LIGHT MOGUL  
SHEET 18

DRAWN BY PAUL F BRIEN AUGUST 1995