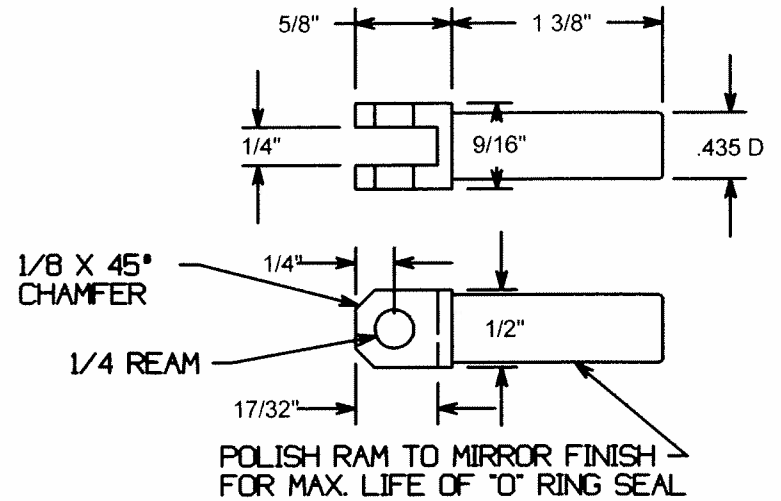
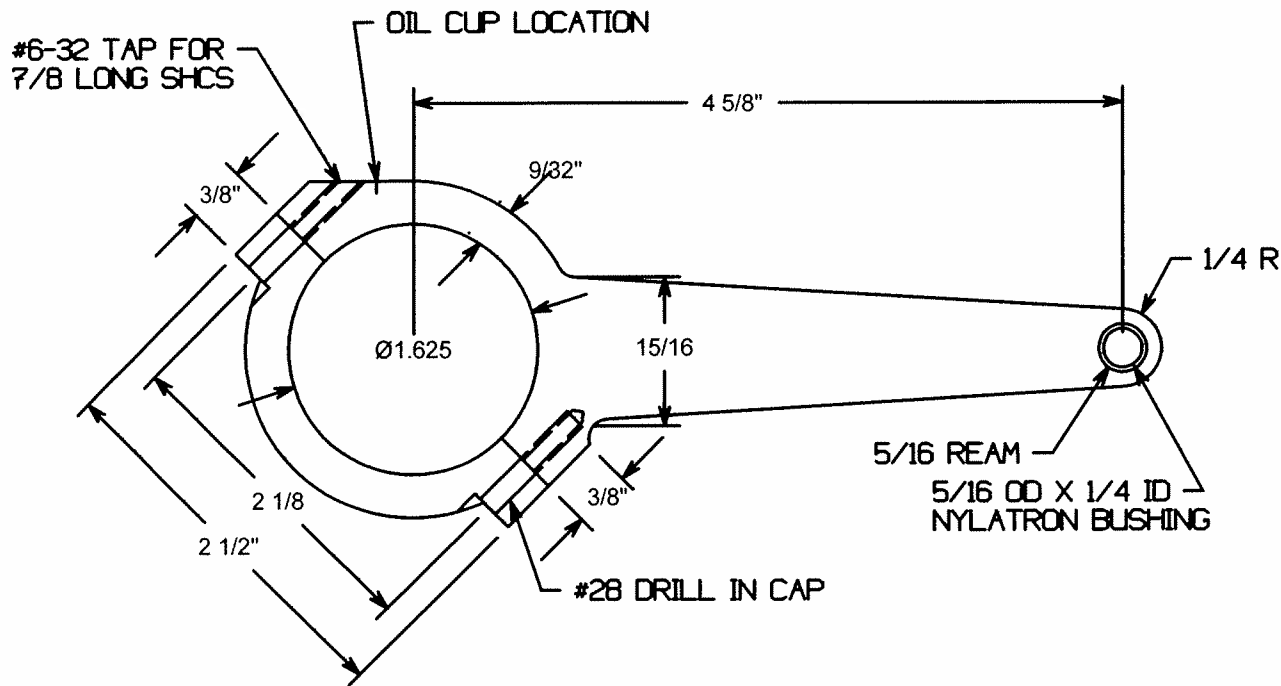


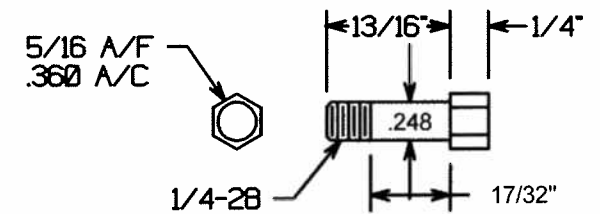
ECCENTRIC C.I. 2 REQD



PUMP RAM SS 2 REQD



ECCENTRIC STRAP 1/4 CRS 2 REQD



RAM BOLT 2 REQD MAKE FROM SHCS (HEAT TREATED 4130) OR DR USE NUTLOCK ON NUT

AXLE PUMP DETAILS
1 1/2" LIGHT MOGUL
SHEET 17