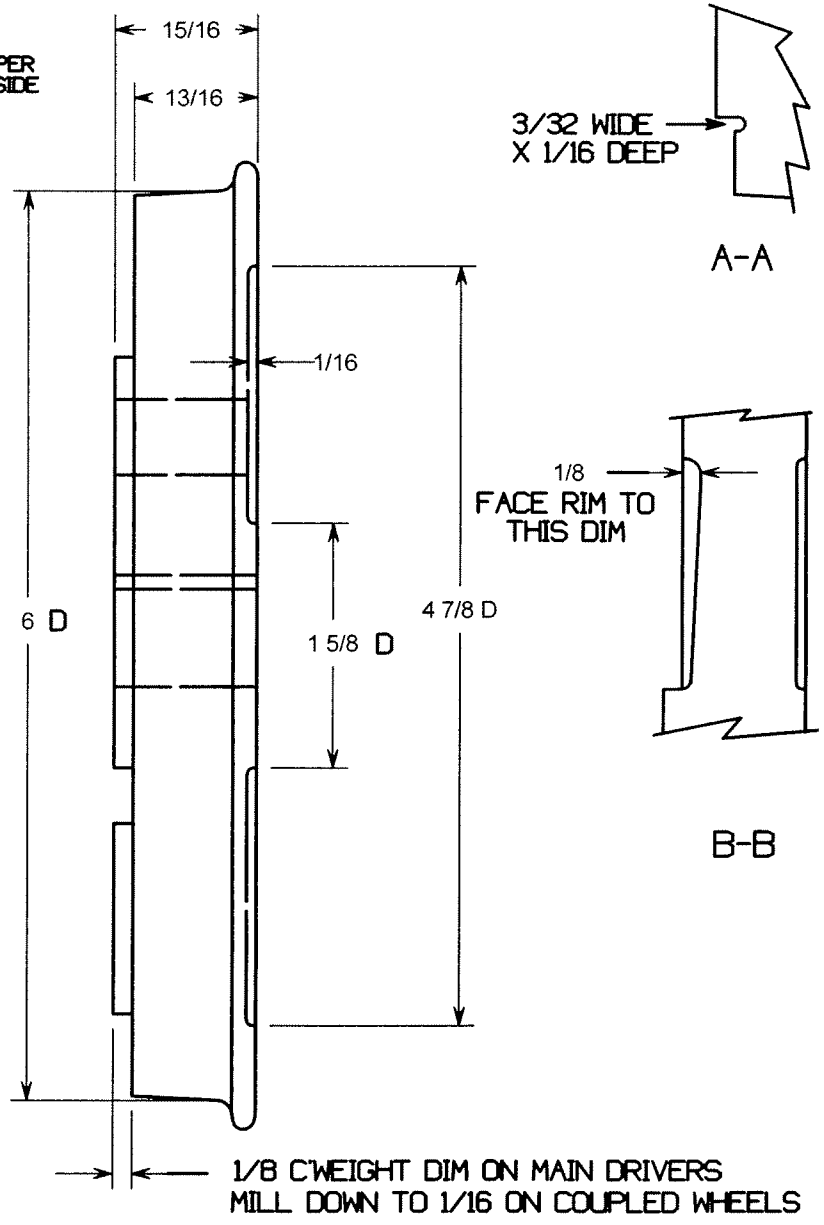


.500 REAM



3/32 WIDE X 1/16 DEEP

1/8 C'WEIGHT DIM ON MAIN DRIVERS  
MILL DOWN TO 1/16 ON COUPLED WHEELS

DRIVERS  
1 1/2" LIGHT MOGUL  
SHEET 15

DRIVERS C.I.  
2 MAIN & 4 COUPLED REQD.

DRAWN BY PAUL F BRIEN JULY 1995