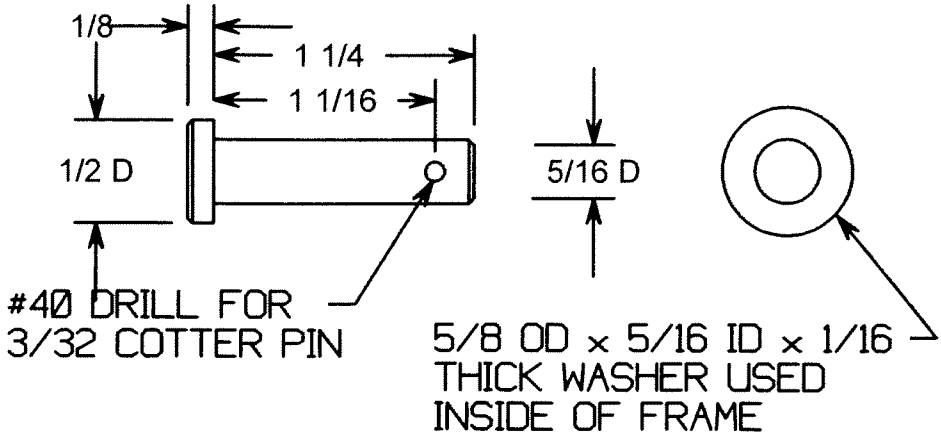
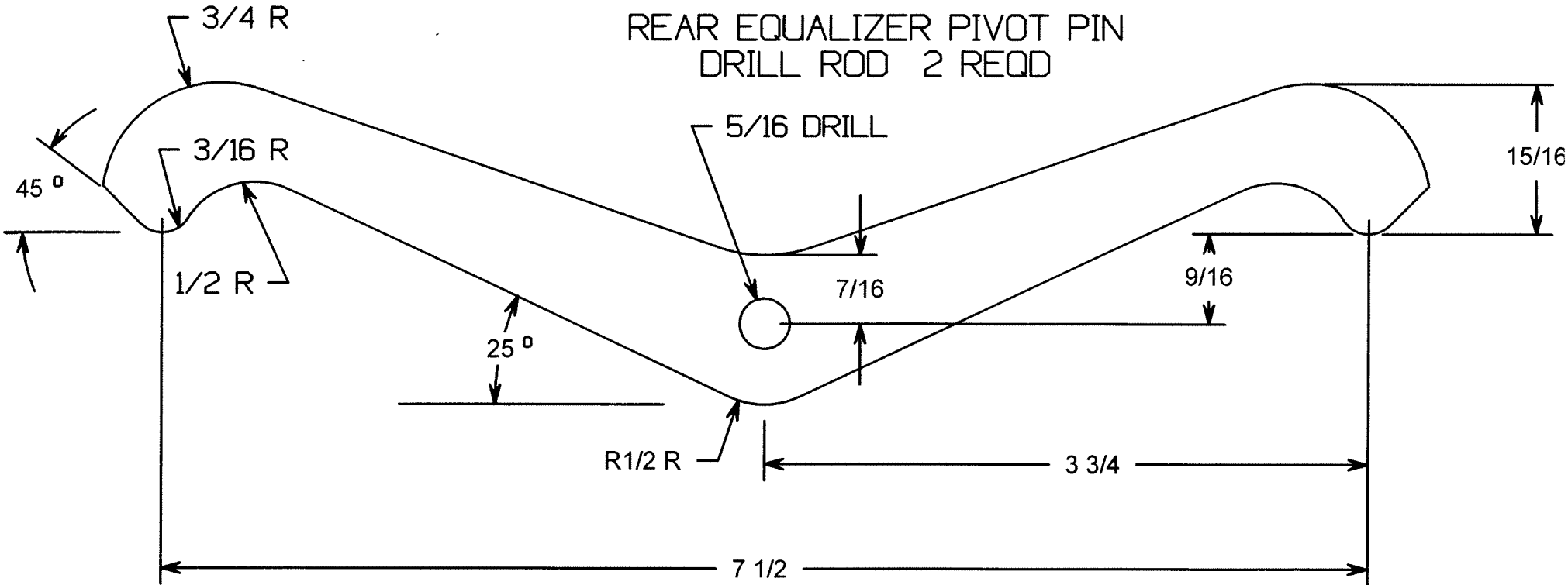


REAR EQUALIZER & PIN
 1 1/2" LIGHT MOGUL
 SHEET 14

DRAWN BY PAUL F BRIEN JUNE 1995



REAR EQUALIZER PIVOT PIN
 DRILL ROD 2 REQD



REAR EQUALIZER 3/16 CRS
 2 PAIR REQD