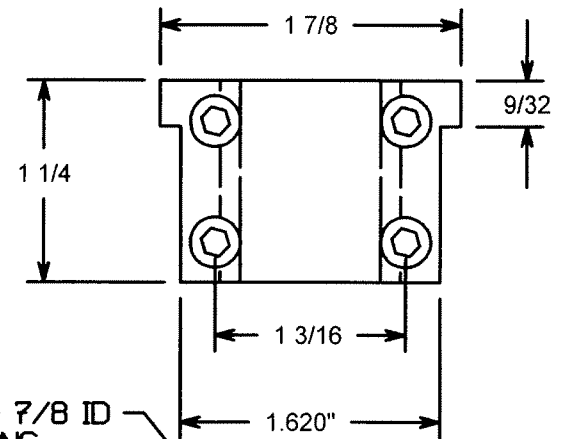


NOTE: THE SCREWS CLIP THE OILITE BUSHING HALFS TO HOLD THEM IN PLACE  
PLACE FELT IN OIL SUMP

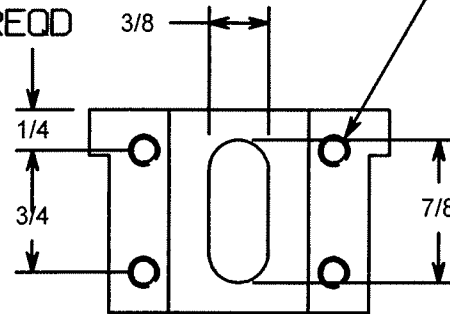


NOTE: NUTLOCK SCREW THREADS IN OUTSIDE PC + LIGHTLY PEEN THREAD TO PREVENT SCREW FROM BACKING OUT IN CASE IT DOES BECOME LOOSE.

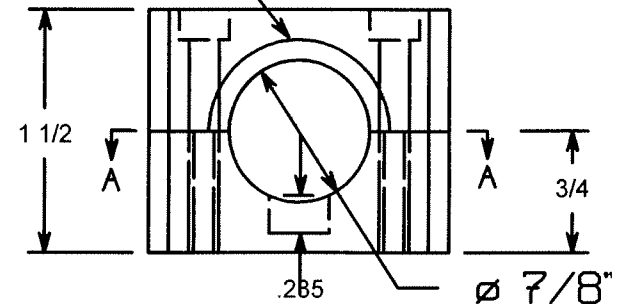
AXLE BOX/SPRING SUPPORT CRS 2 ASSEMBLES REQD

#10-24 TAP 4 PLCS

1 1/8 OD x 7/8 ID x 1 1/4 LONG OILITE BUSHING CUT IN HALF



A-A



DRIVER AXLE BOX 6 REQD CRS TOP HALF, C.I. BOTTOM HALF

AXLE BOX & SUPPORT  
1 1/2" LIGHT MOGUL  
SHEET 13

DRAWN BY PAUL F BRIEN JUNE 1995