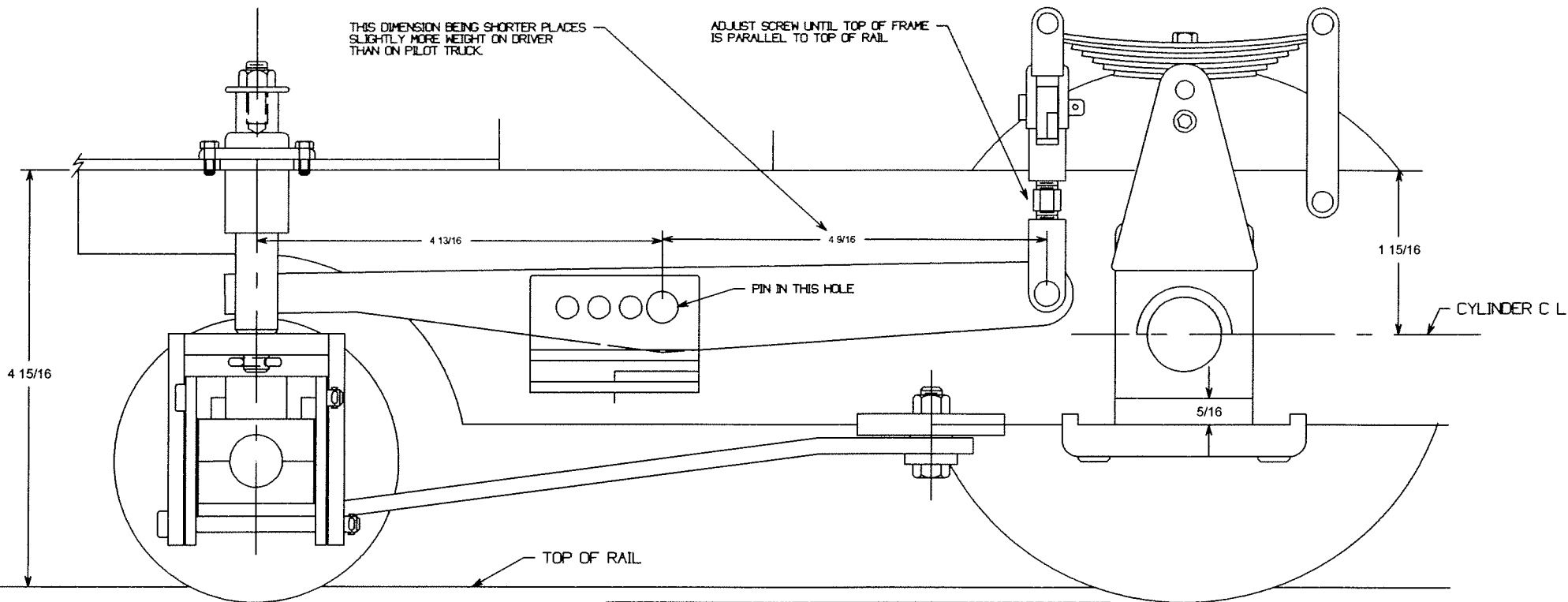


THIS DIMENSION BEING SHORTER PLACES  
SLIGHTLY MORE WEIGHT ON DRIVER  
THAN ON PILOT TRUCK

ADJUST SCREW UNTIL TOP OF FRAME  
IS PARALLEL TO TOP OF RAIL



PILOT TRUCK EQUALIZING ARRANGEMENT  
1 1/2" LIGHT MOGUL  
SHEET 12 B