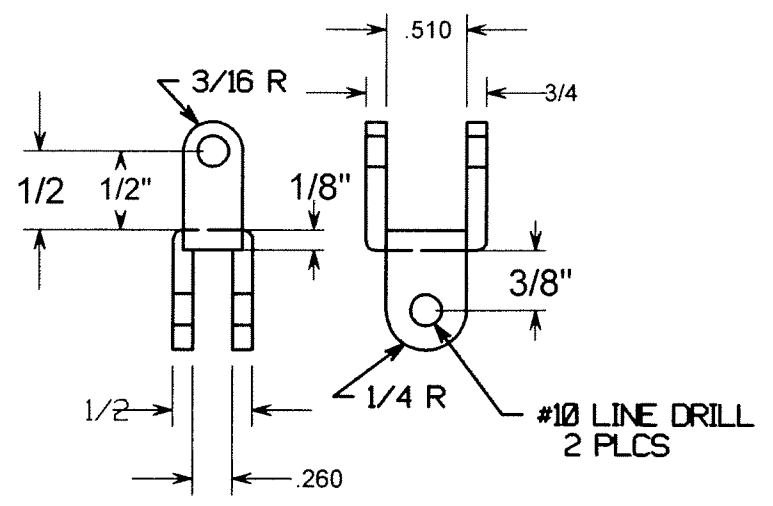
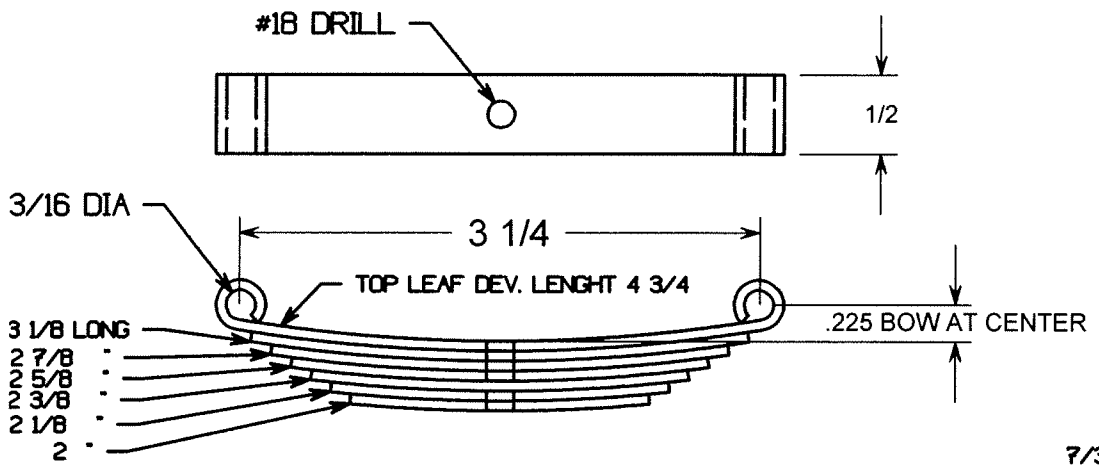


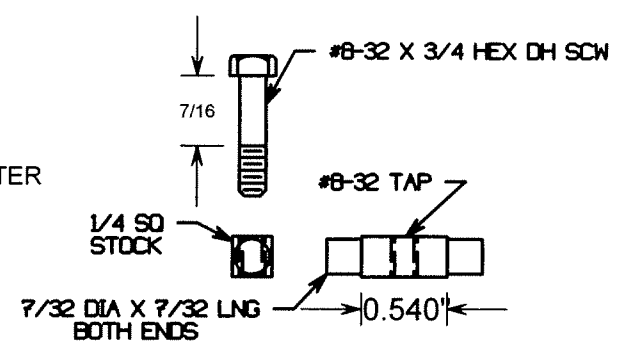
FRONT CROSS EQUALIZER
1/4 CRS 1 REOD



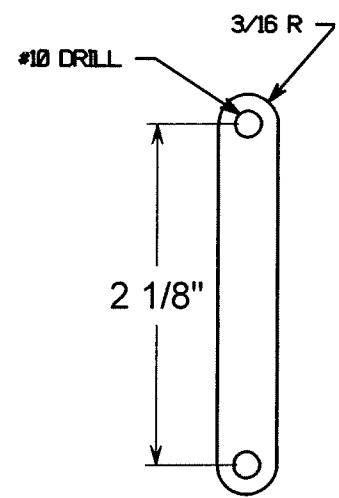
SPRING TO CROSS EQUALIZER BRACKET
2 REOD CRS MACHINE FROM SOLID



SPRING 2 REOD MAKE FROM
1/2 WIDE X 1/16 THICK SEWER TAPE



SPRING RETAINER BOLT
AND PIVOT 2 EA REOD



SPRING HANGER
1/8 CRS 4 REOD

SPRING RIGGING DETAILS
1 1/2" LIGHT MOGUL
SHEET 11