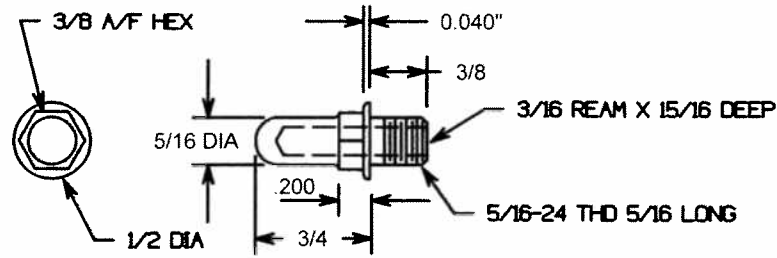
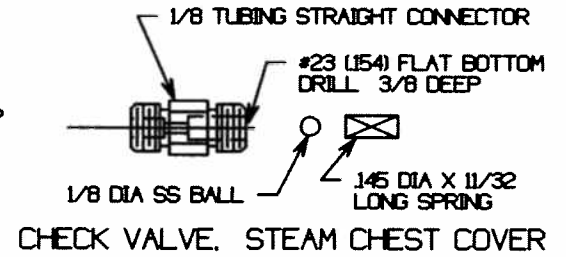


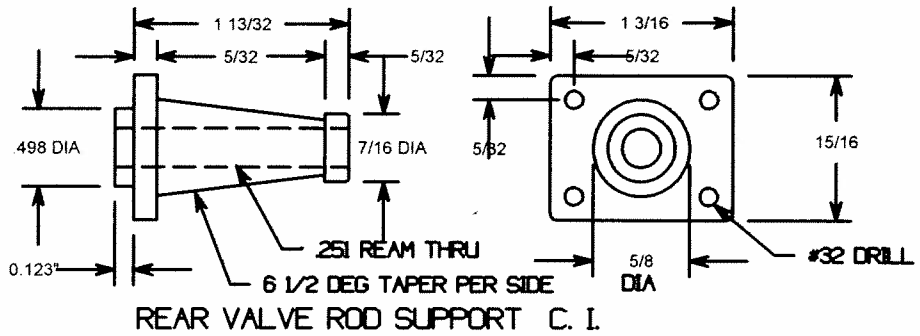
CYLINDER DETAILS
1 1/2" LIGHT MOGUL
SHEET 2



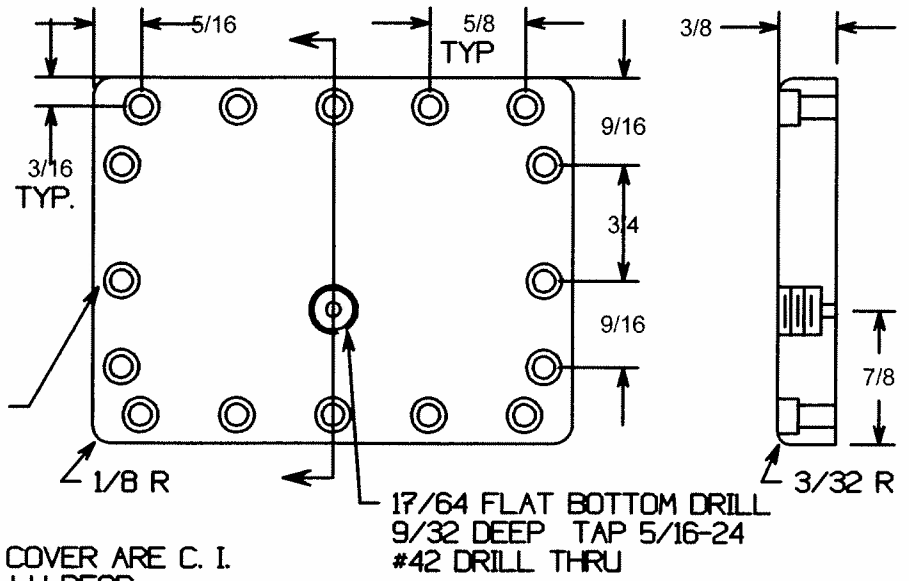
FRONT VALVE ROD GUIDE
BEARING BRONZE



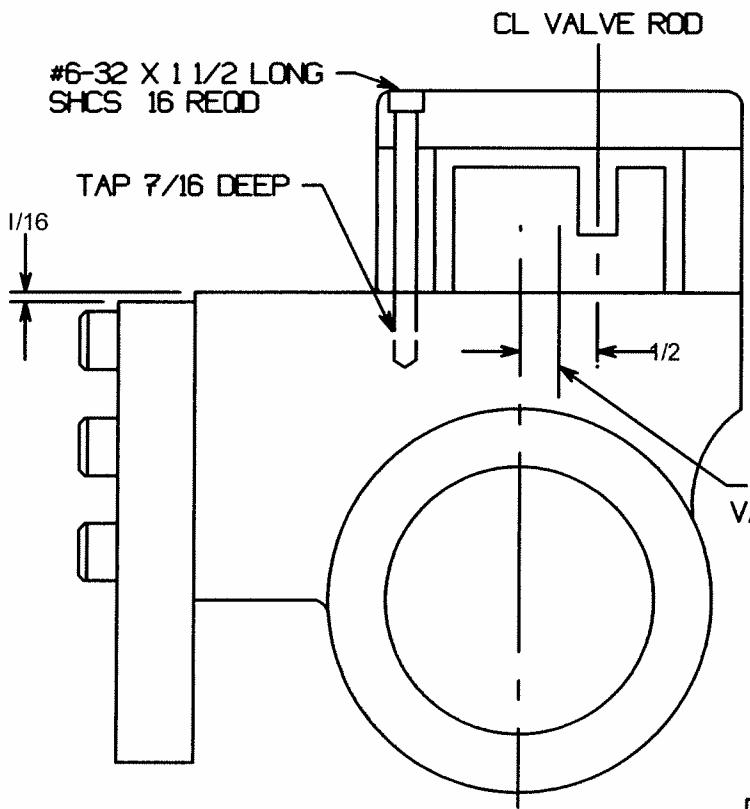
CHECK VALVE, STEAM CHEST COVER



REAR VALVE ROD SUPPORT C. I.



STEAM CHEST & COVER ARE C. I.
Ⓜ RH & Ⓜ LH REOD



CL VALVE ROD
#27 DRILL C'BORE .228 (#1)
X .135 DP 16 PLCS

