

1/4-20 TAP 1/2 DP  
8 PLCS

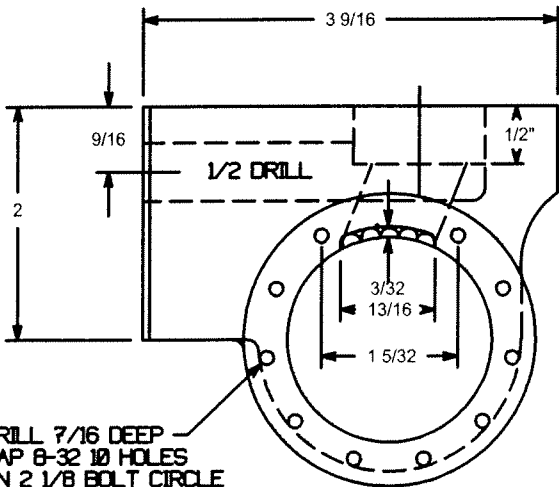
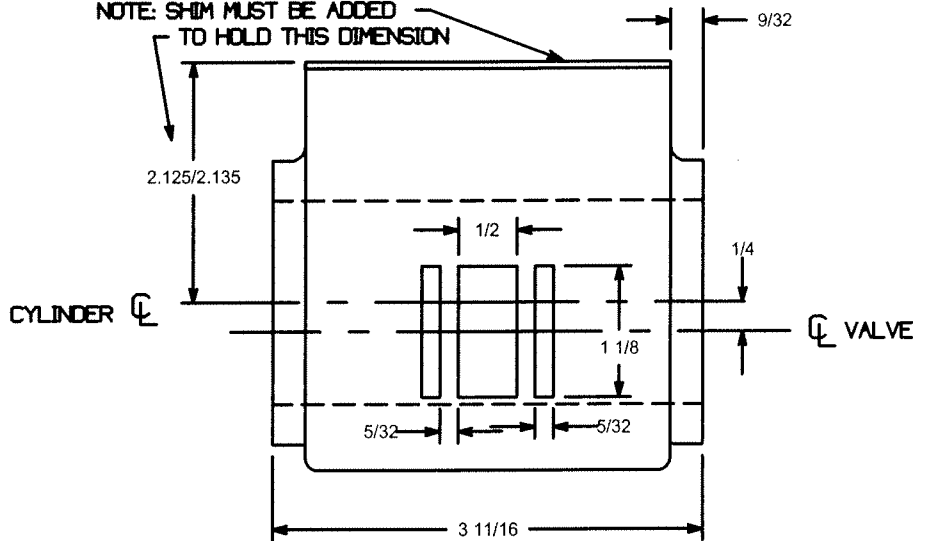
SPOT FACE 9/16 DIA TO C.U.  
7/16 DRILL TO DEPTH SHOWN  
1/4 PIPE TAP

3/16 WIDE X 1/2 LONG  
STEAM INLETT PORT

NOTE:  
1 3/4 BORE X 2 3/4 STROKE  
PISTON 3/4 THICK  
CYLINDER HEAD REGISTER 1/16  
CLEARANCE EACH END 1/32

CYLINDERS  
1 1/2" LIGHT MOGUL  
SHEET 1

NOTE: SHIM MUST BE ADDED  
TO HOLD THIS DIMENSION



DRILL 7/16 DEEP  
TAP 8-32 10 HOLES  
ON 2 1/8 BOLT CIRCLE

