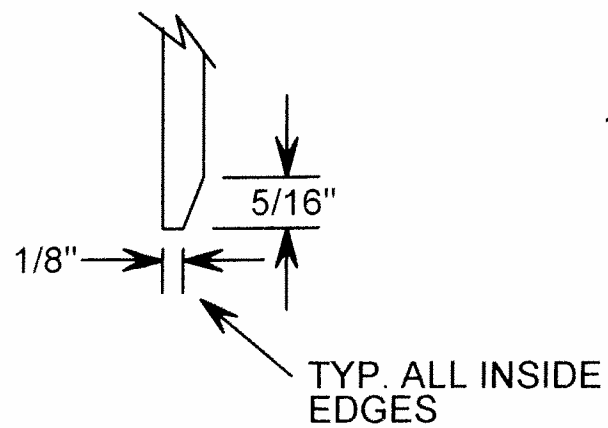


FIREBOX SECTION
1 1/2 LIGHT MOGUL
SHEET- B4

BOILER IS COMPLETELY
WELDED BEFORE
FLUES ARE INSTALLED.
LIGHTLY HAMMER
EXPANDER INTO ENDS.
THEN AIR TEST USING
SOAP MIXTURE.



1/2 PIPE

13/16"

THROAT SHEET FITS
INSIDE OF SIDE PLATES

3"

1/2"

4 1/2"

6 1/2"

R 7/8"
R 5/8"

REAM
.755

