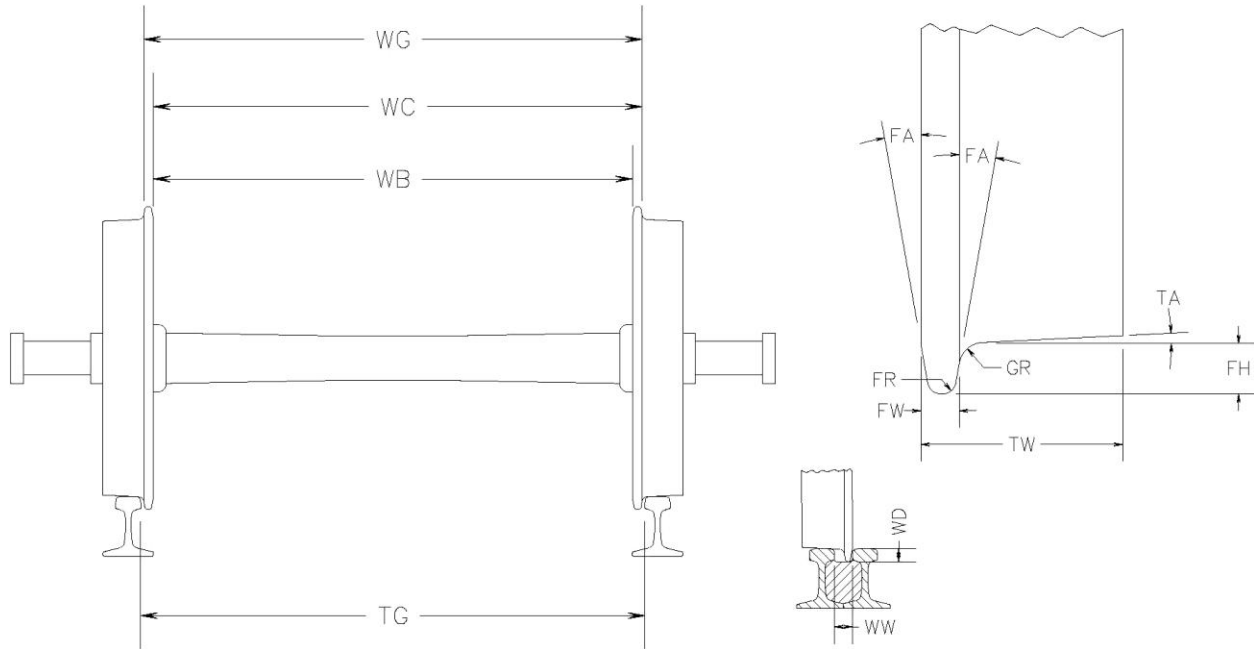


15" Gauge – Various Scale Wheels – 3" Scale Track

All Dimensions Except Tire Width Apply To Both Wheel Scales



Symbol	Dimension	Value
TG	Track Gauge	15 Min
WW	Flangeway Width	0.514 NLT
WD	Flangeway Depth	0.392 Max
TW	Tire Width	
	3" Scale	1 1/2 Min
	5" Scale	2 1/2 Min
TA	Tread Angle	2.833° Max
FW	Flange Width	
	- New	0.313 NMT
	- With Wear	0.234 Min
FH	Flange Height	
	- New	0.375 NLT
	- With Wear	0.438 Max
FA	Flange Angle	10° Min
GR	Gauge Radius	
	- New	0.250 NMT
	- With Wear	0.187 Min
FR	Flange Radius	0.125 Typ
WB	Wheel Back to Back	14.25+0.020
WC	Wheel Check	14.484 Min
WG	Wheel Gauge	14.718 Min

Notes

All dimensions in inches

Tread angle is 2 degrees 50 minutes or 2 5/6 degrees

Tolerance

The amount by which a final measured dimension can vary from the given value is determined by the tolerance.

- + (plus) and a Value – The measured dimension may be larger by any amount up to, and including this additional value
- Max – This is the largest the measured dimension can be, any smaller value is acceptable
- Min – This is the smallest the measured dimension can be, any larger value is acceptable
- NLT Not Less Than – Similar to a minimum but the measured dimension should be as close as possible to the given dimension without being smaller than it
- NMT Not More Than – Similar to maximum but the measured dimension should be as close as possible to the given dimension without being larger than it
- Typ (typical) – Approximate dimension, exact value will have to be determined in order to make other surfaces align correctly