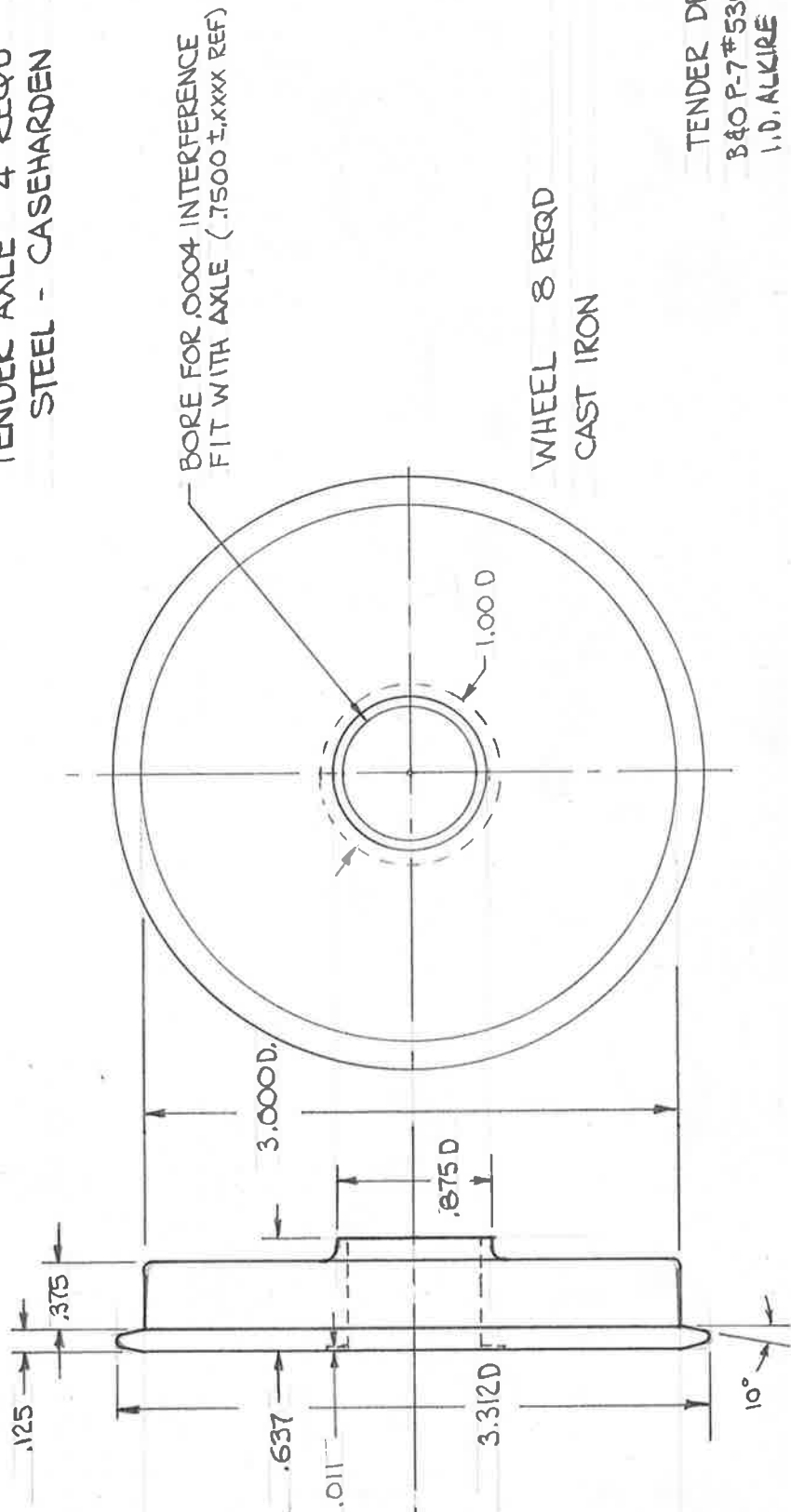


TENDER AXLE 4 REQD  
STEEL - CASEHARDEN



TENDER DETAILS  
B40 P-7 #5300 1"  
I.D. ALKIRE 1965