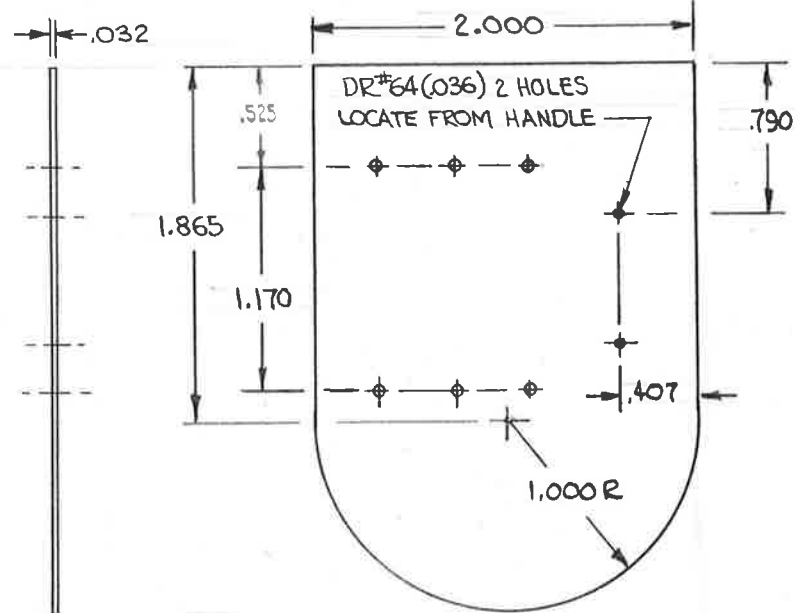
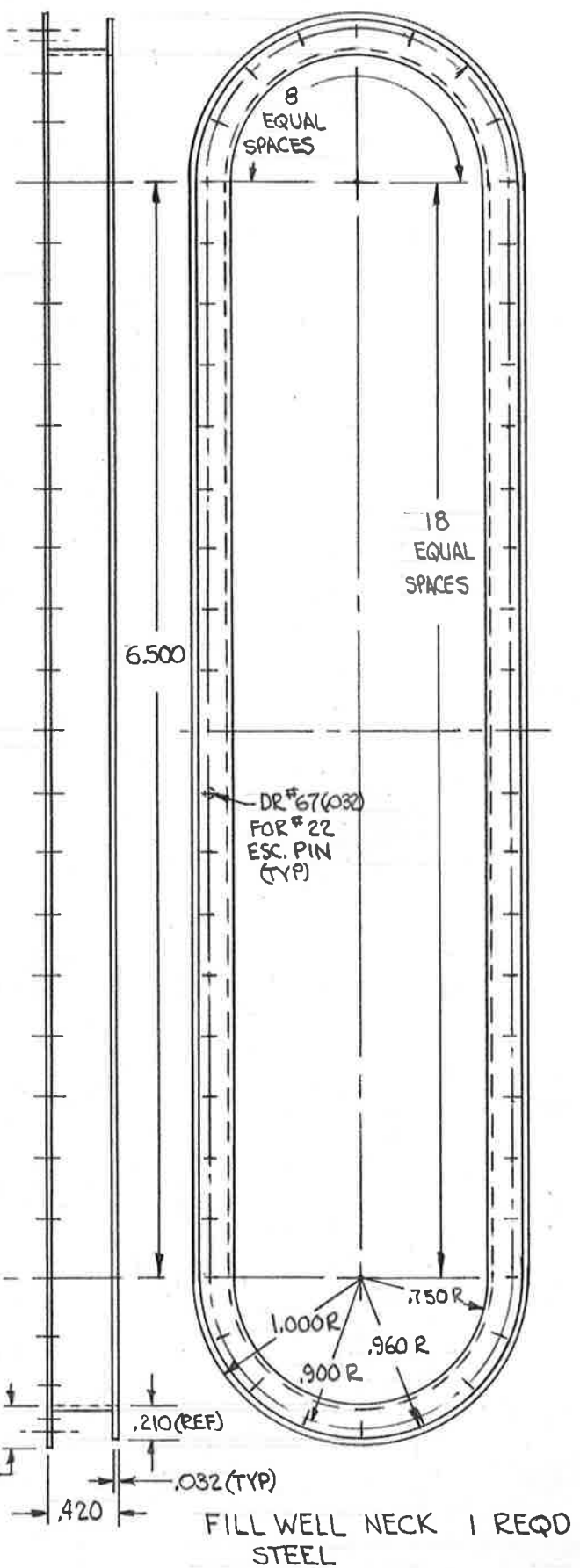


FILL WELL CENTER COVER DOOR 1 REQD  
STAINLESS STEEL



FILL WELL END COVER DOOR 2 REQD  
STAINLESS STEEL



FILL WELL NECK 1 REQD  
STEEL

TENDER BODY DETAILS  
B & O P-7 #5300 1"  
ALKIAR 1965