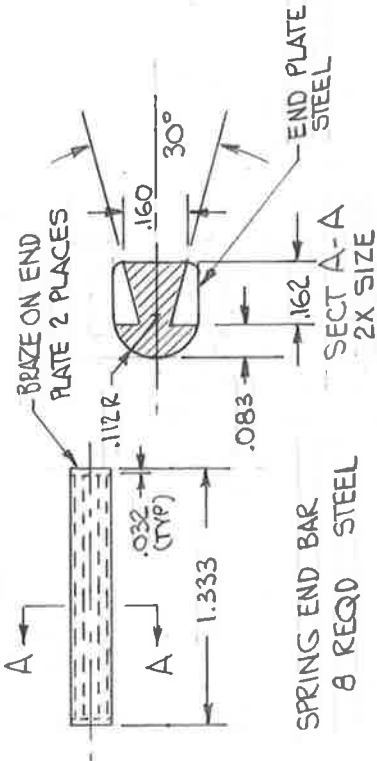
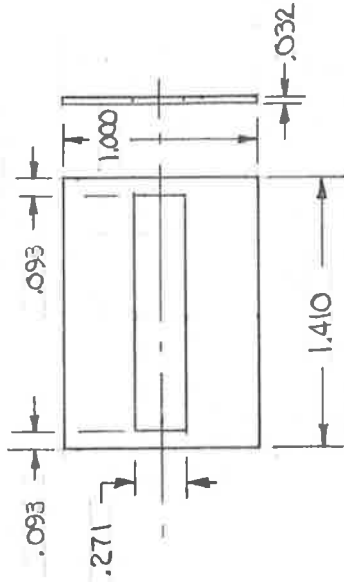


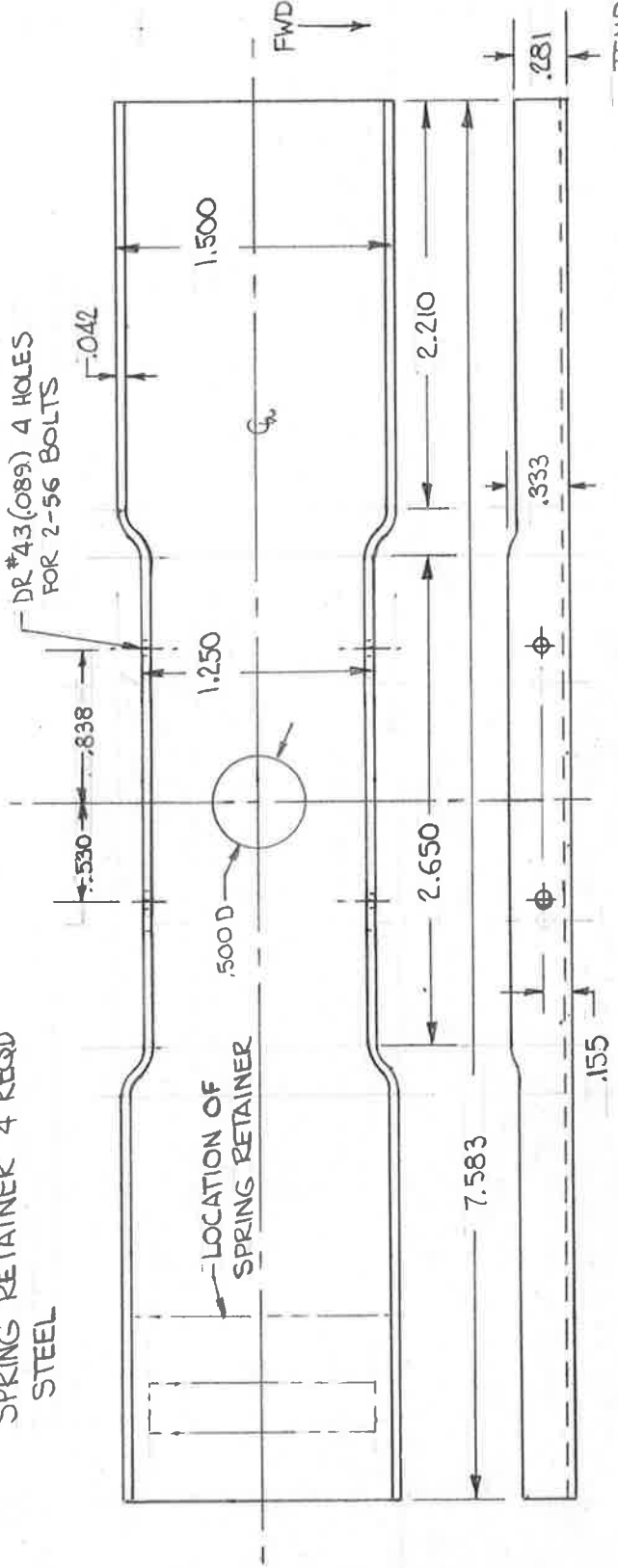
LEAF No.	FLAT LENGTH	R	No. REQD
1	.693	3.768	24
2	1.080	3.706	24
3	1.467	3.644	24
4	1.853	3.582	24
5	2.240	3.520	24



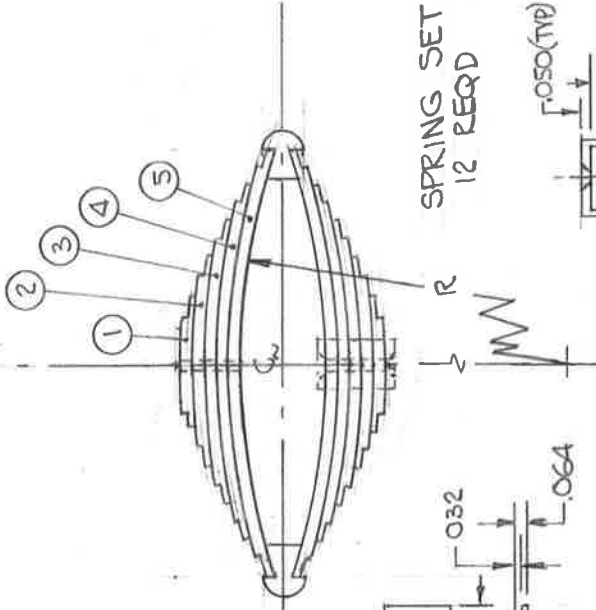
SPRING END BAR  
8 REQD STEEL



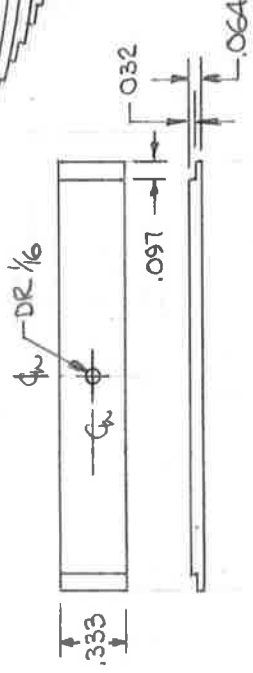
SPRING RETAINER 4 REQD  
STEEL



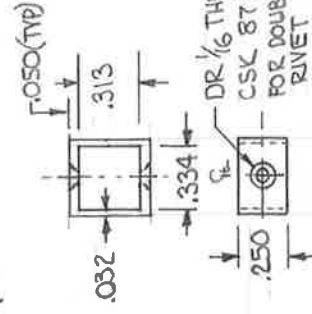
SPRING PLANK 2 REQD  
STEEL



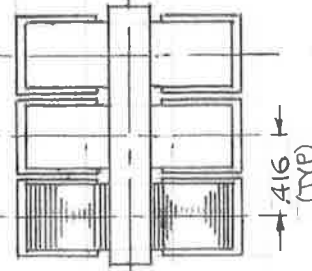
SPRING SET  
12 REQD



SPRING LEAF 120 REQD  
BERYLLIUM COPPER H.T.180K



SPRING LEAF CLAMP  
STEEL 24 REQD



SPRING ASSEM.  
SIDE VIEW

TENDER TRUCK DETAILS  
B & O P-7 #5300 1"  
I. O. ALKIRE 1965