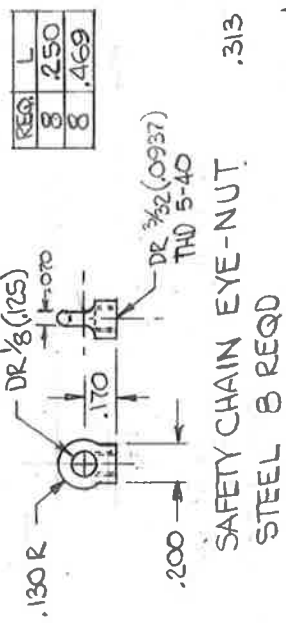
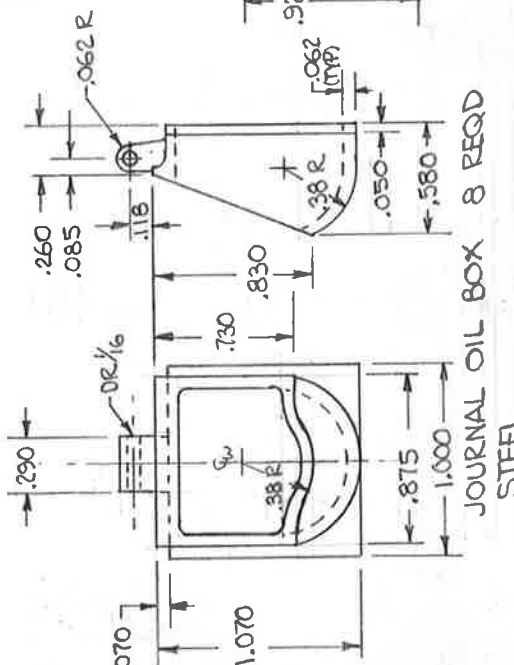
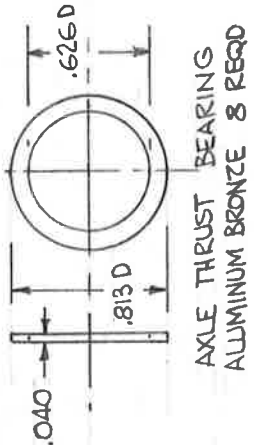
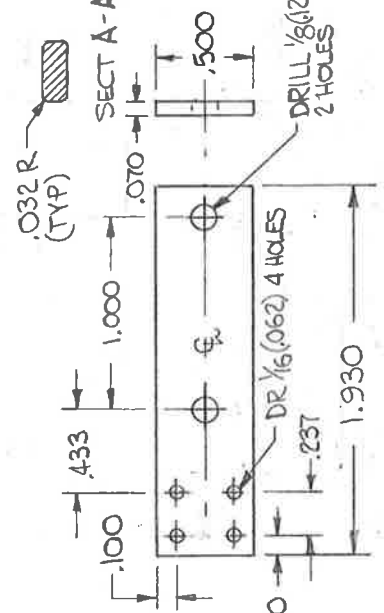


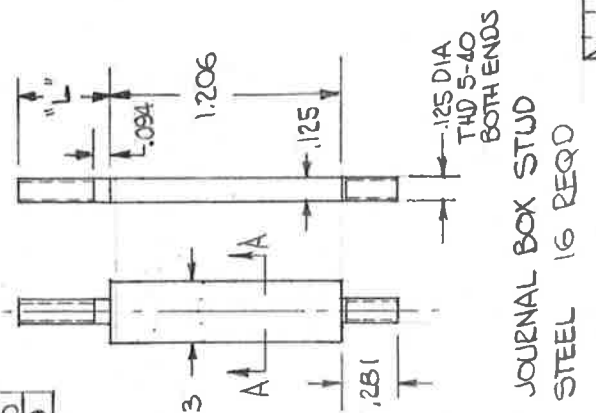
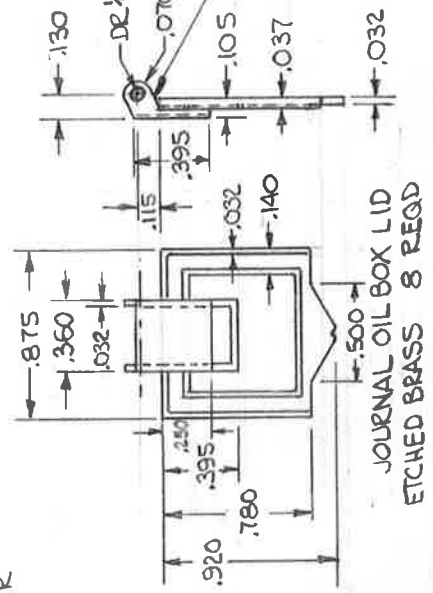
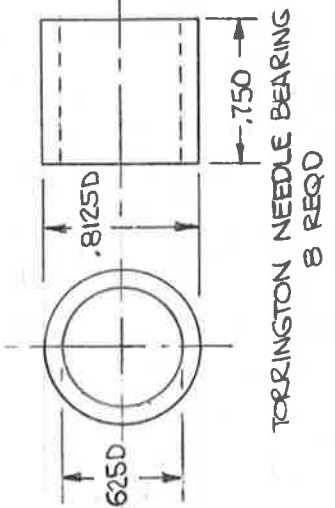
CENTER PLATE-BOLSTER
STEEL - 2 REQD.



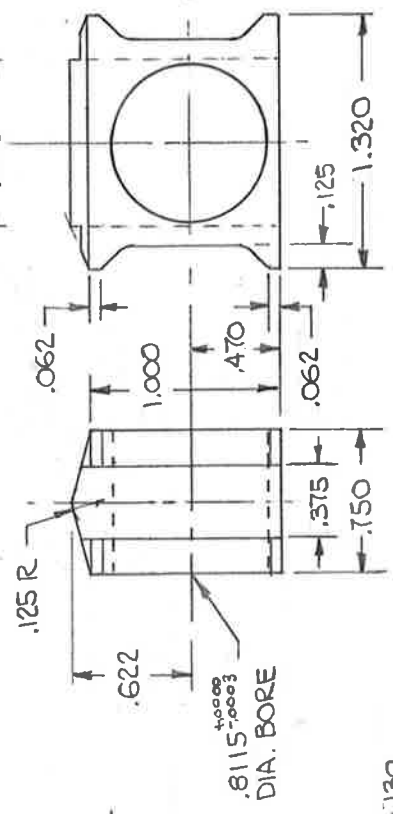
REQD	L
8	.250
8	.469



JOURNAL BOX RETAINING PLATE
STEEL 8 REQD



JOURNAL BOX STUD
STEEL 16 REQD



JOURNAL BOX 8 REQD
STEEL

TENDER TRUCK DETAILS
B&O P-7 #5300
ALLISE 9-1-64