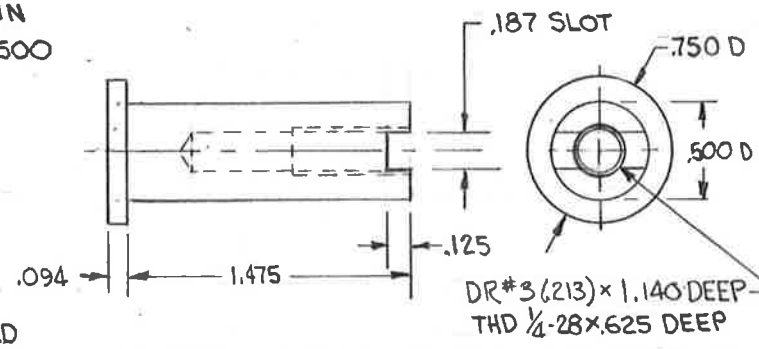
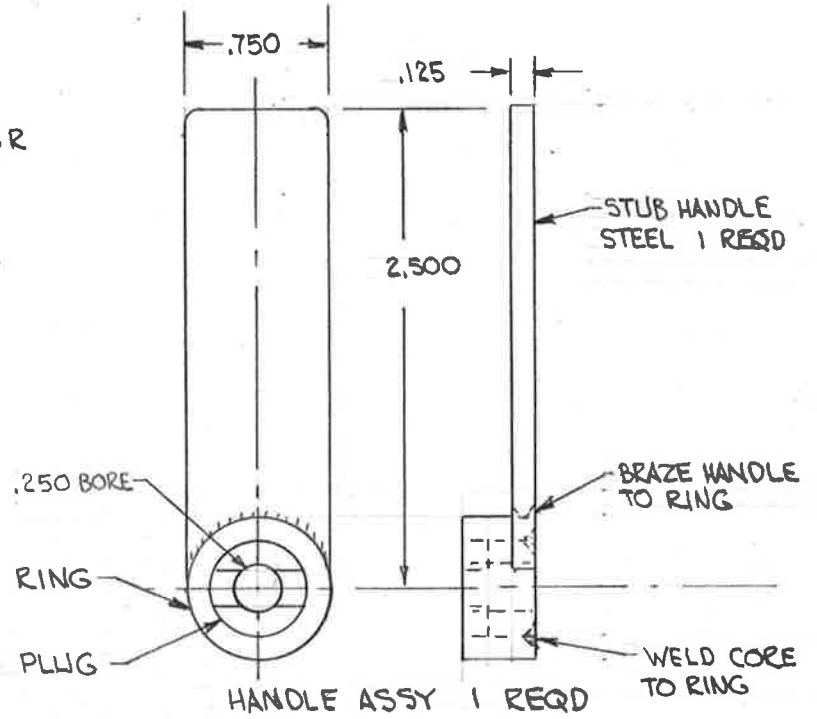


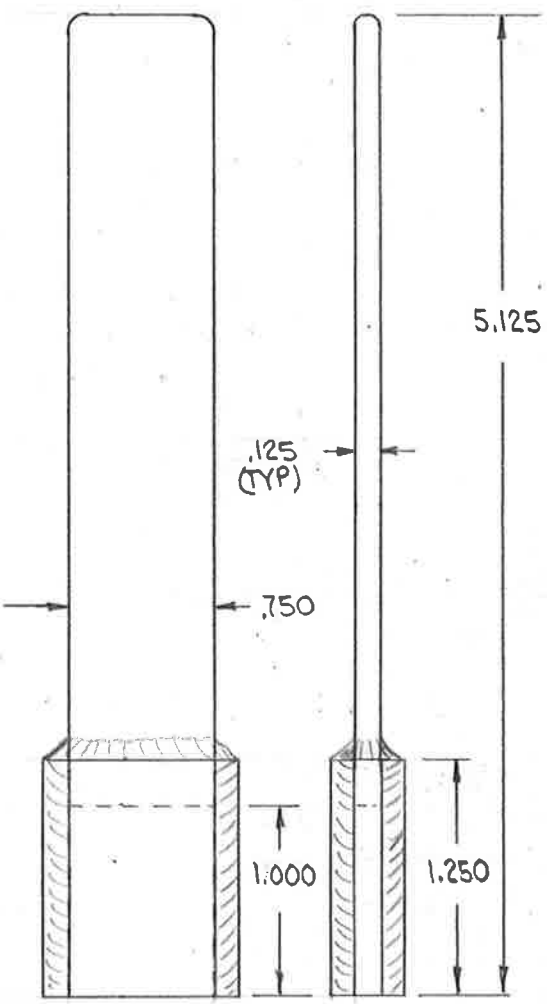
BELL CRANK ASSY 1 REQD
STEEL



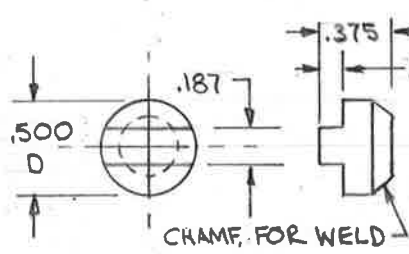
SHAFT - TENDER PUMP ACTUATION
STEEL 1 REQD



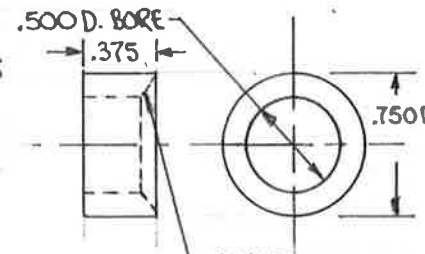
HANDLE ASSY 1 REQD



EXTENSION HANDLE
STEEL 1 REQD



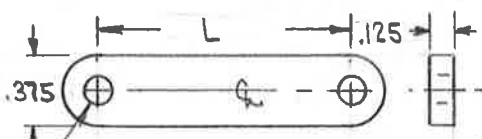
PLUG 1 REQD
STEEL



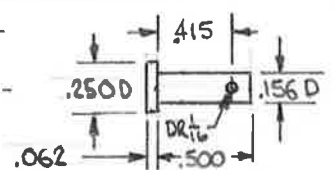
RING 1 REQD
STEEL

QUAN.	L
2	1.320
2	1.850

DR # 5/32 (.156)
2 HOLES



LINK 4 REQD
STEEL



PIVOT PIN 4 REQD
STEEL

TENDER PUMP DRIVE DETAILS
B&O P-7 #5300 1*

ALKIRE 5-14-65