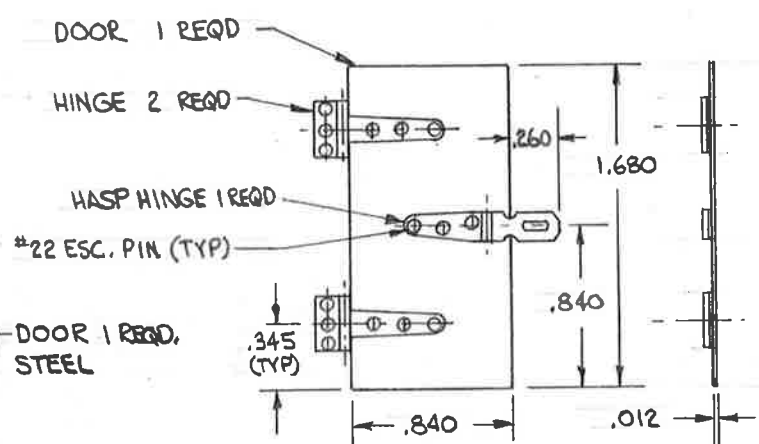


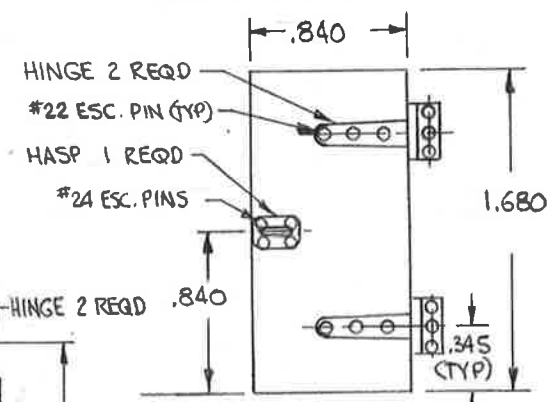
STOKER ENGINE ACCESS DOOR ASSY
1 REQD.

DR*64(036)
FOR #20
ESC. PINS

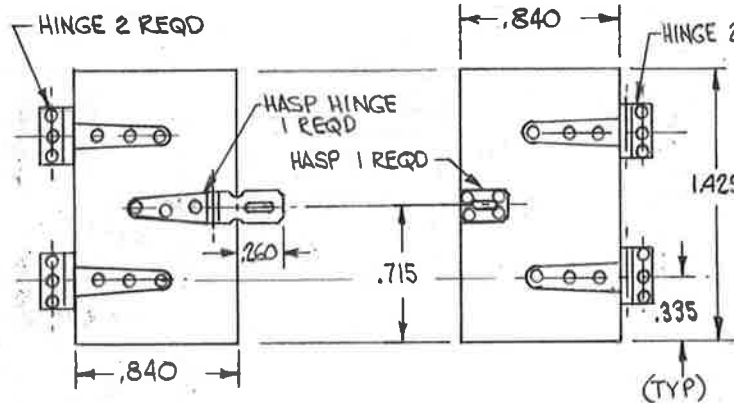


DOOR 1 REQ'D,
STEEL

TOOL BOX ACCESS DOOR ASSY
STEEL 1 REQ'D

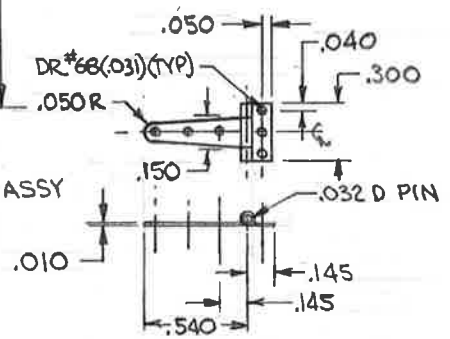


TOOL BOX ACCESS DOOR ASSY
.012 STEEL 1 REQ'D

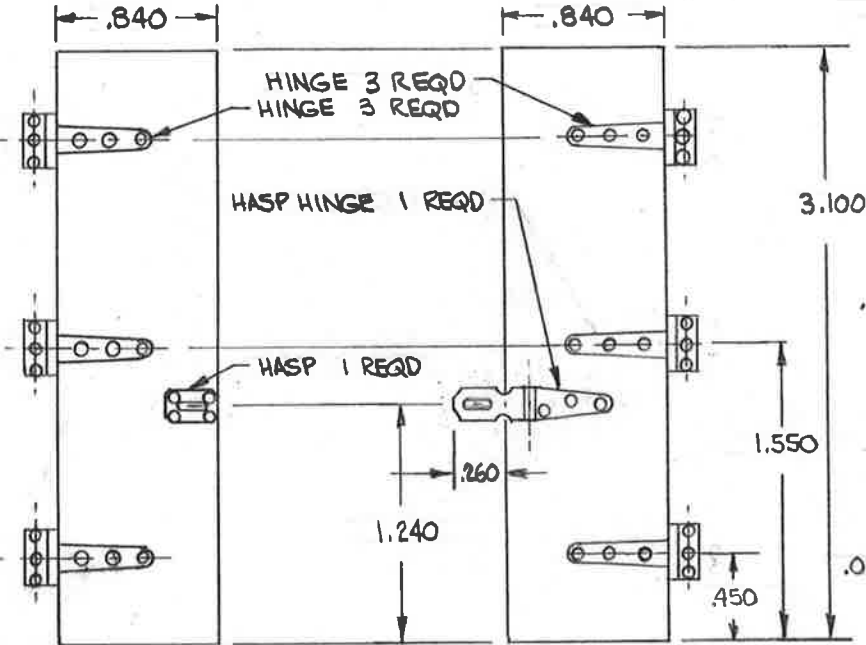


TOOL BOX ACCESS DOOR ASSY
.012 STEEL 1 REQ'D

TOOL BOX ACCESS DOOR ASSY
.012 STEEL 1 REQ'D.

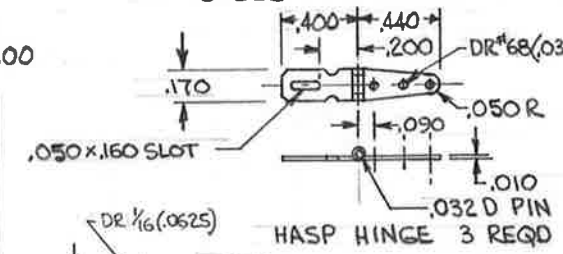


HINGE ASSY 14 REQ'D
STEEL

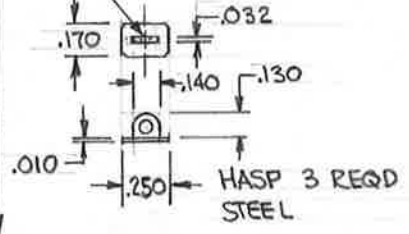


TOOL BOX ACCESS DOOR ASSY
.012 STEEL 1 REQ'D

TOOL BOX ACCESS DOOR ASSY
.012 STEEL 1 REQ'D



HASP HINGE 3 REQ'D



HASP 3 REQ'D
STEEL

TENDER BODY DETAILS
B & O P-7 #5300 1"
I.D. ALKIRE 1965