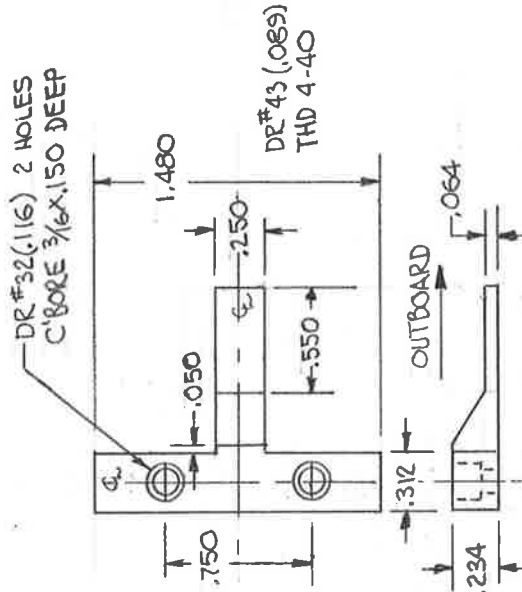
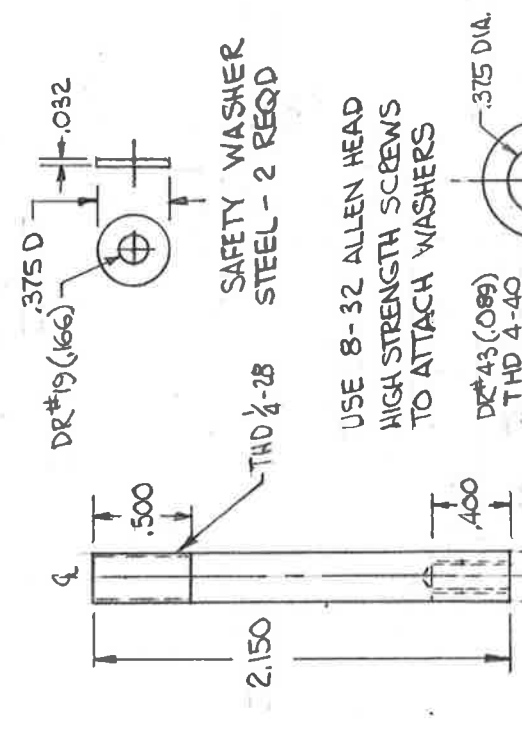


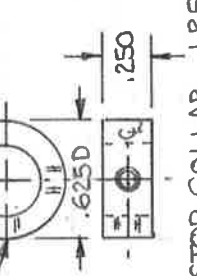
HAND BRAKE SHAFT
STEEL 1 REQD



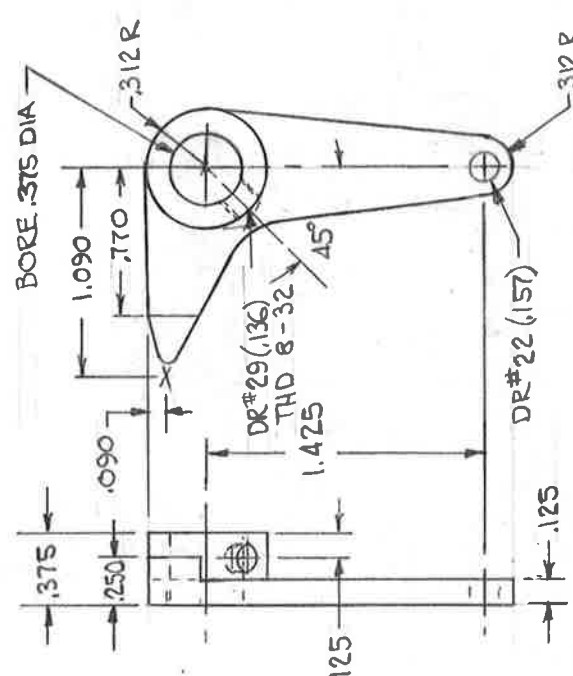
FORWARD TRUCK STABILIZER PAD
ALUMINUM ALLOY 2 REQD
ATTACH WITH #4-40 ALLEN HEAD
SCREWS TO TOP OF BOLSTER



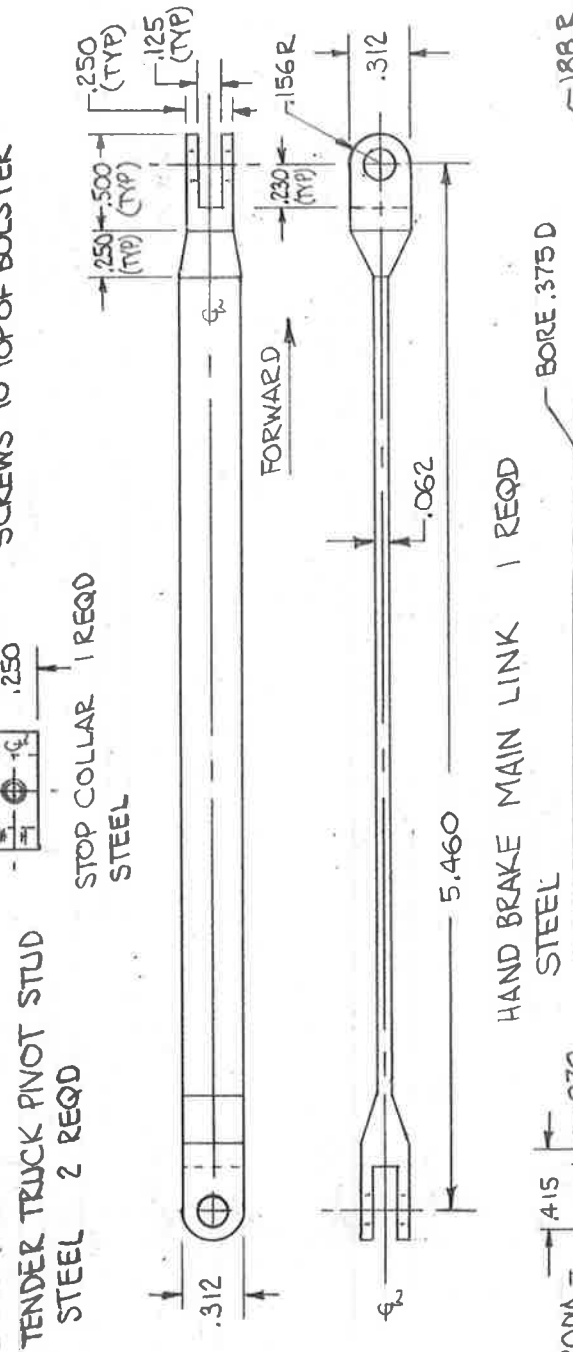
TENDER TRUCK PIVOT STUD
STEEL 2 REQD



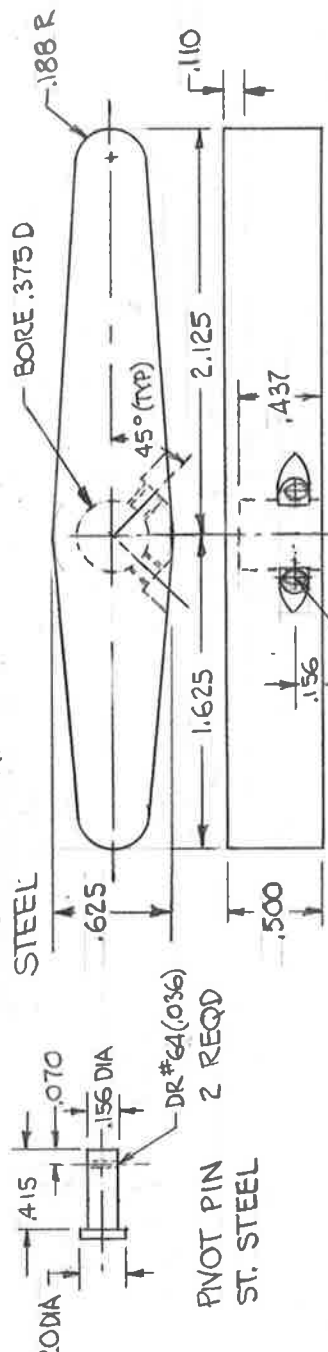
STOP COLLAR 1 REQD
STEEL



HANDBRAKE BELLCRANK
STEEL 1 REQD



HAND BRAKE MAIN LINK 1 REQD
STEEL



PIVOT PIN
ST. STEEL

HANDBRAKE HANDLE 1 REQD
ALUMINUM ALLOY

TENDER CHASSIS DETAILS
B & O P-7 #5300 1"

ALBIRE 1965