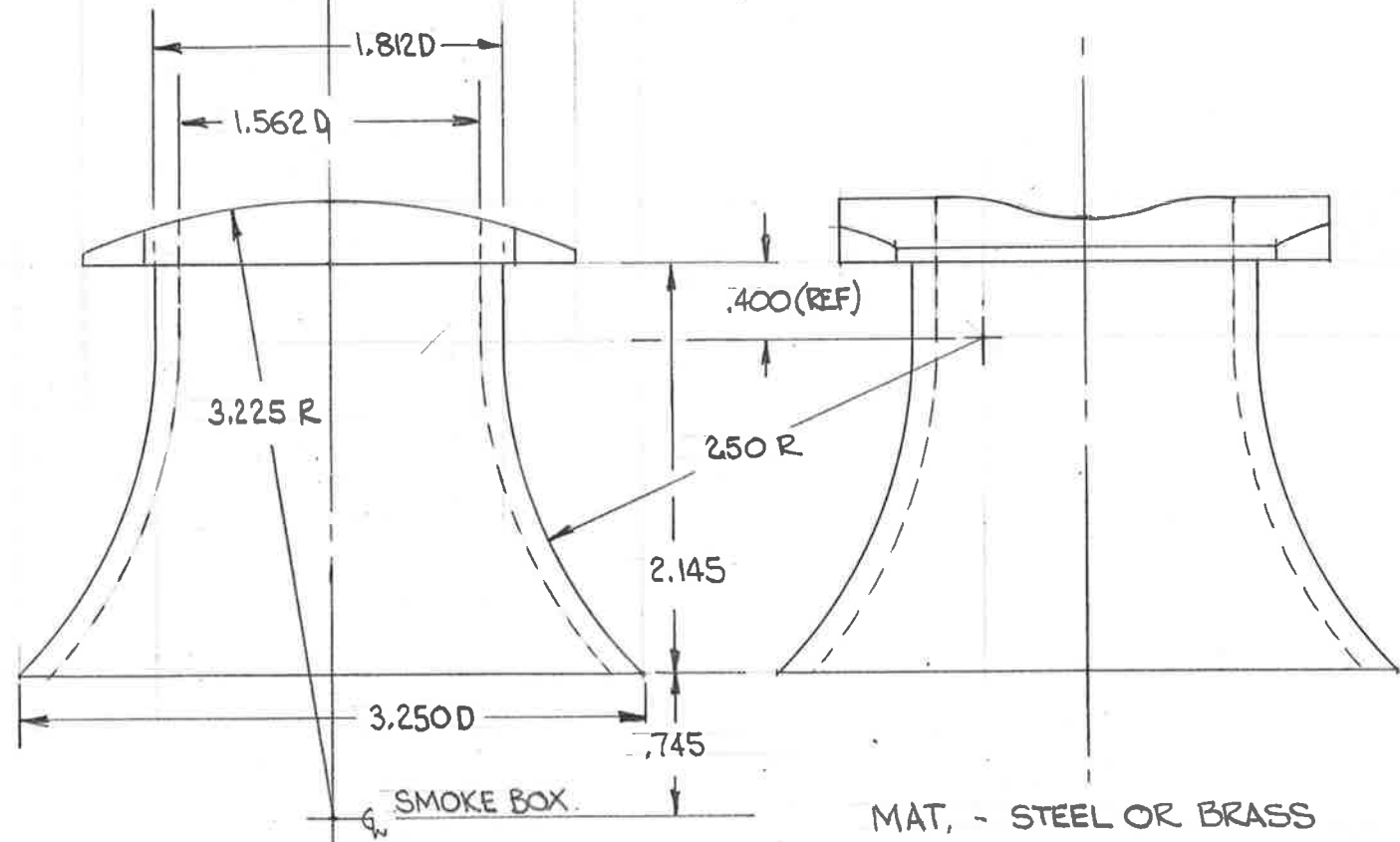
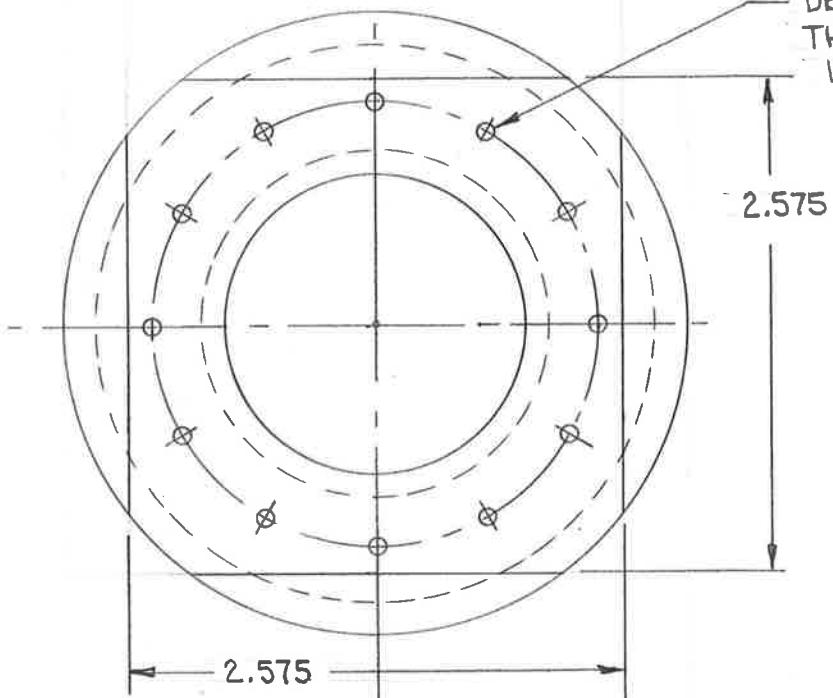


DRILL #50 (.070)
THD 2-56 12 PLACES
LOCATE FROM STACK BASE



PETTICOAT PIPE 1 REQD
B40 P-7 #5300 1"
JULY 13, 1964 ALKIRE