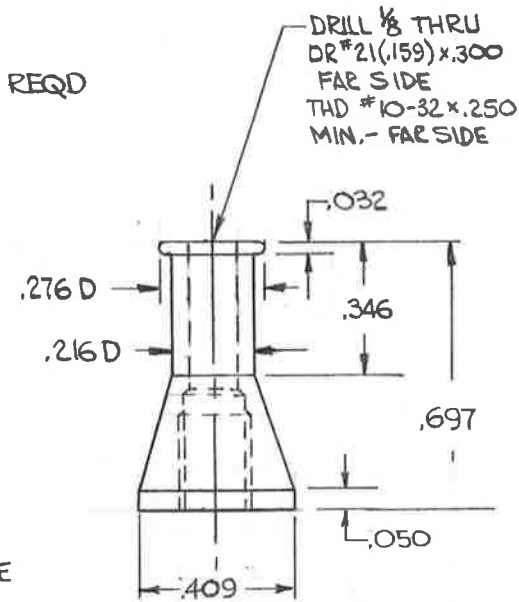
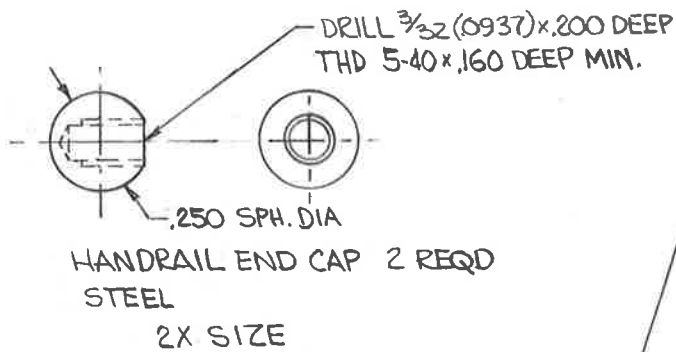
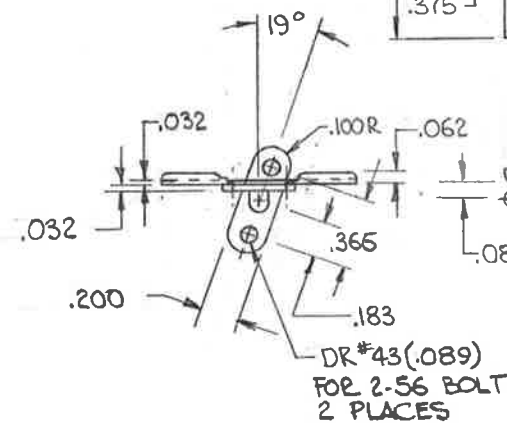
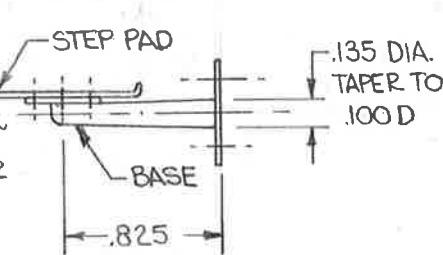
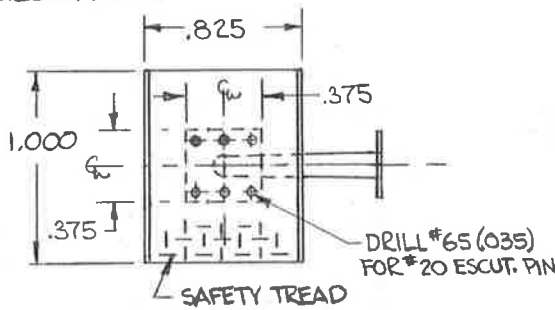


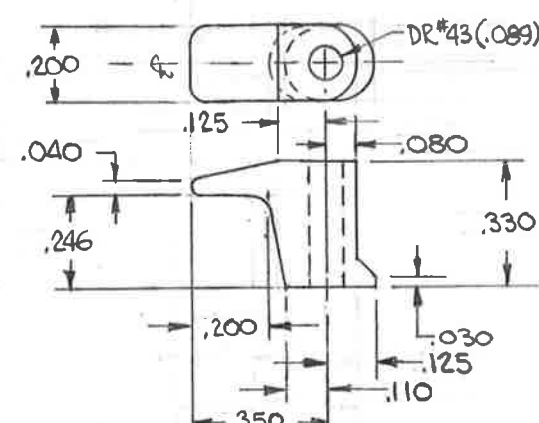
HANDRAIL SUPPORT-BOILER FRONT  
STEEL 7 REQD  
2X SIZE



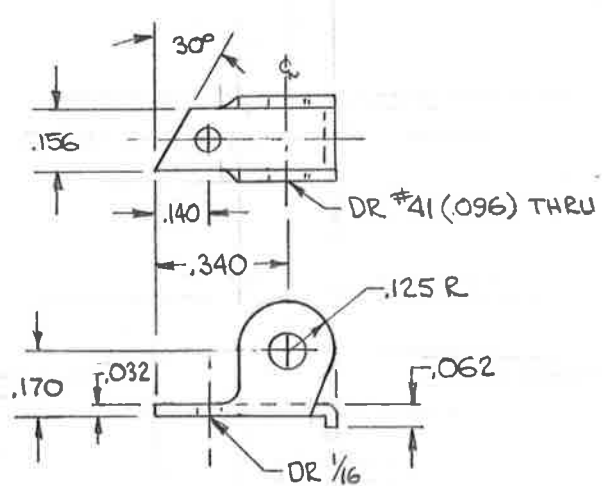
BUMPER STANCHION 2 REQD  
STEEL 2X SIZE



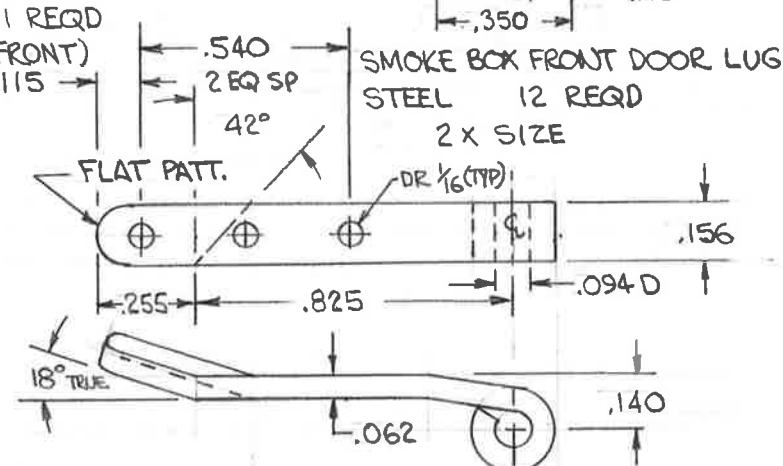
HEADLIGHT ACCESS STEP ASSY 1 REQD  
STEEL (ON L.H. SIDE OF SMOKEBOX FRONT)  
.115



SMOKE BOX FRONT DOOR LUG  
STEEL 12 REQD  
2X SIZE



HINGE-BASE HALF L.H. SHOWN 1 REQD  
STEEL R.H. OPP. 1 REQD  
2X SIZE



HINGE-SMOKE BOX DOOR HALF L.H. SHOWN 1 REQD  
STEEL R.H. OPP. 1 REQD

MISC. DETAILS  
B & O P-7 #5300 1"  
I.D. ALKIRE 1963