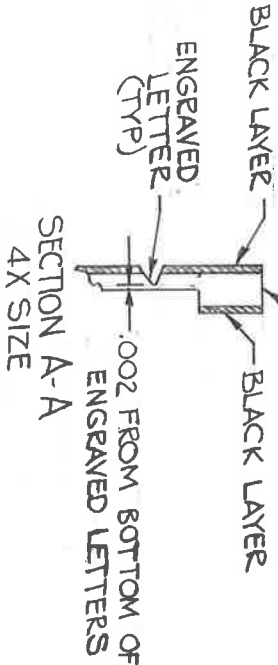
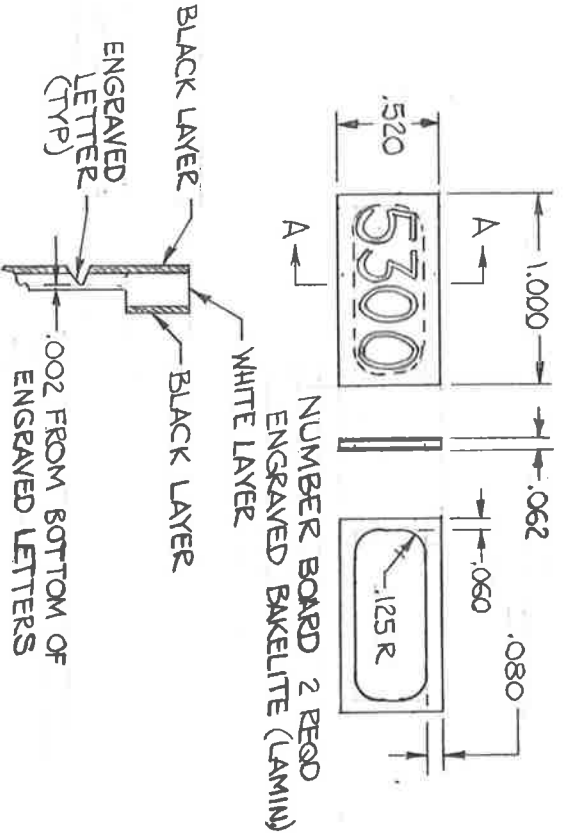
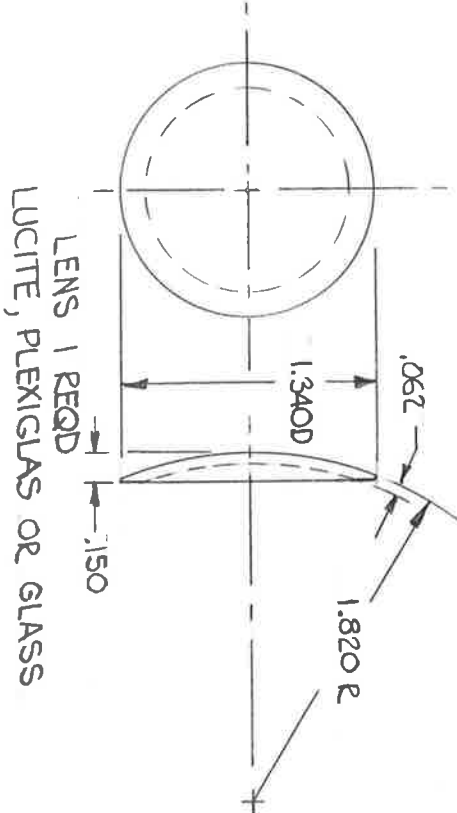
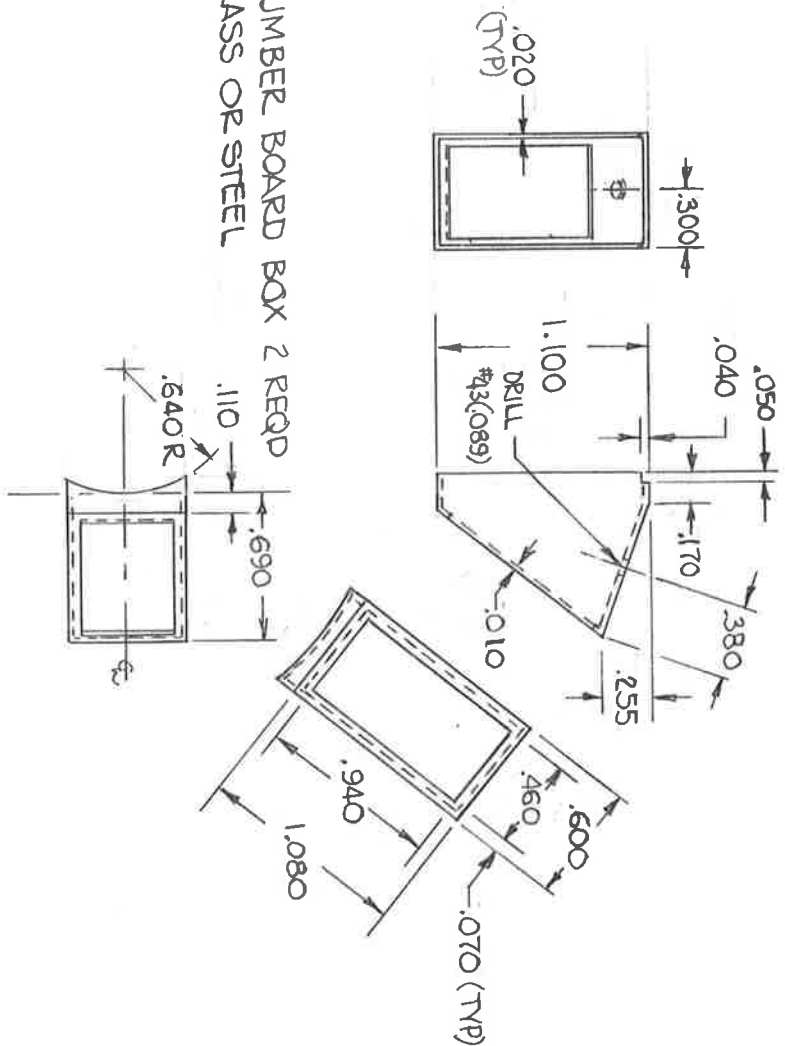
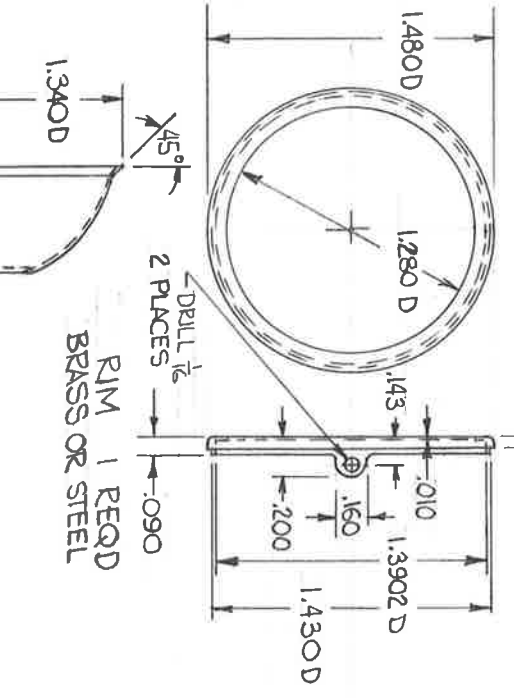
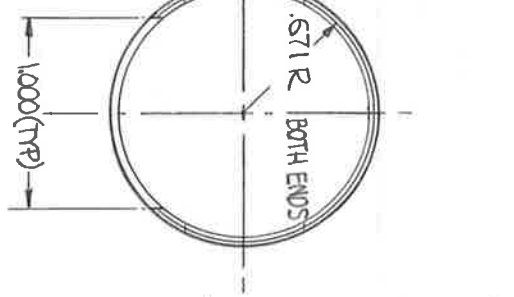
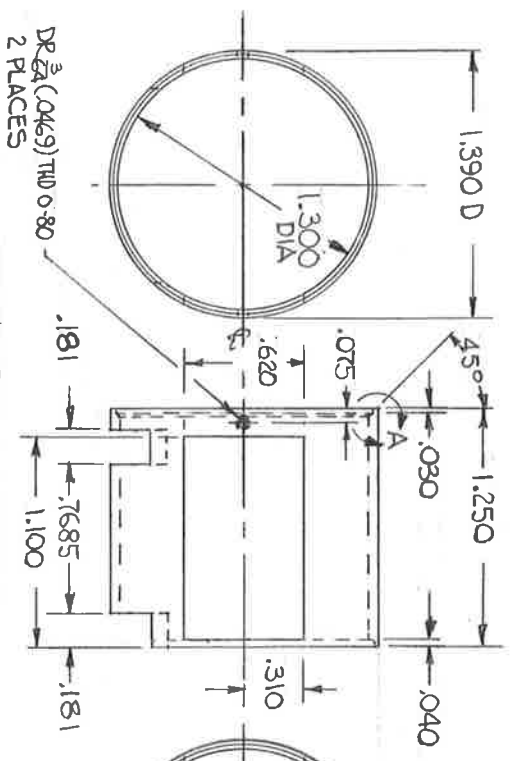
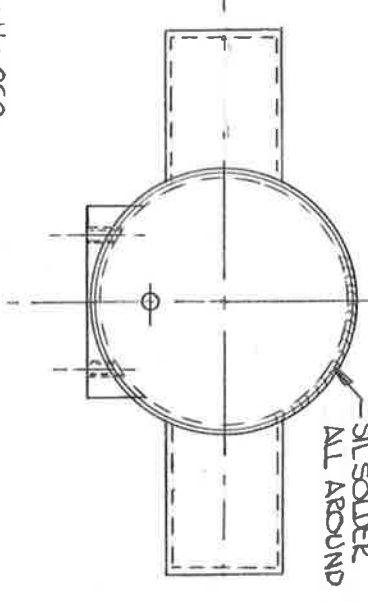
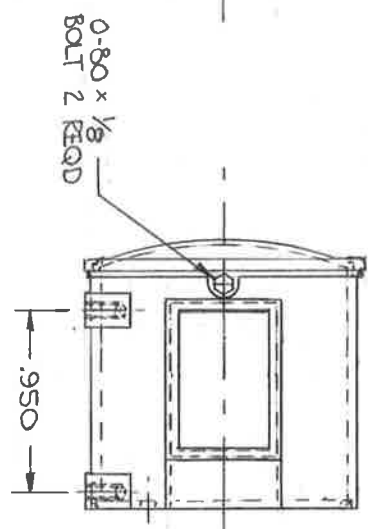
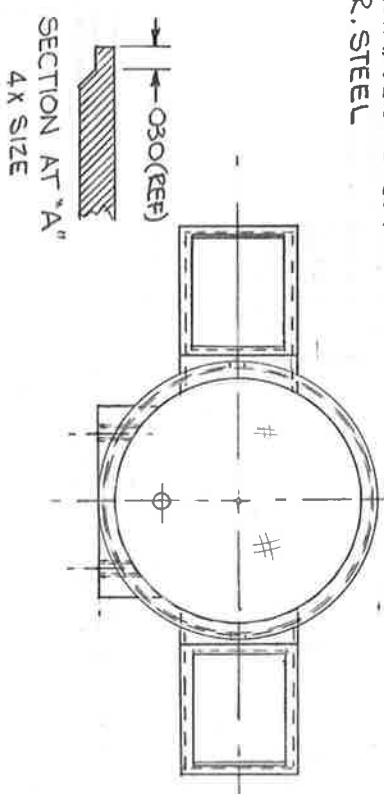
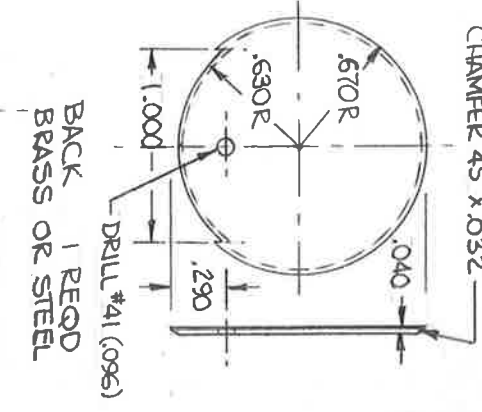
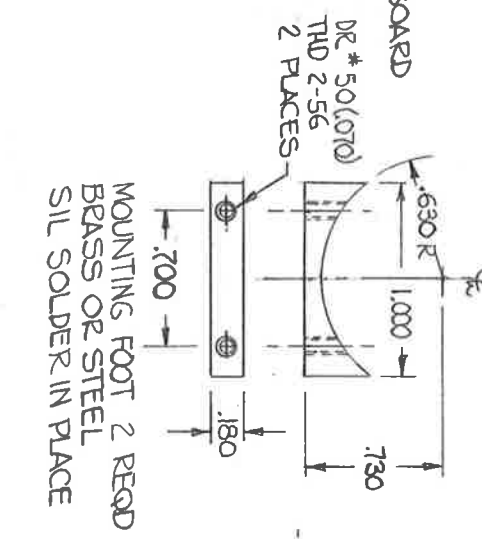
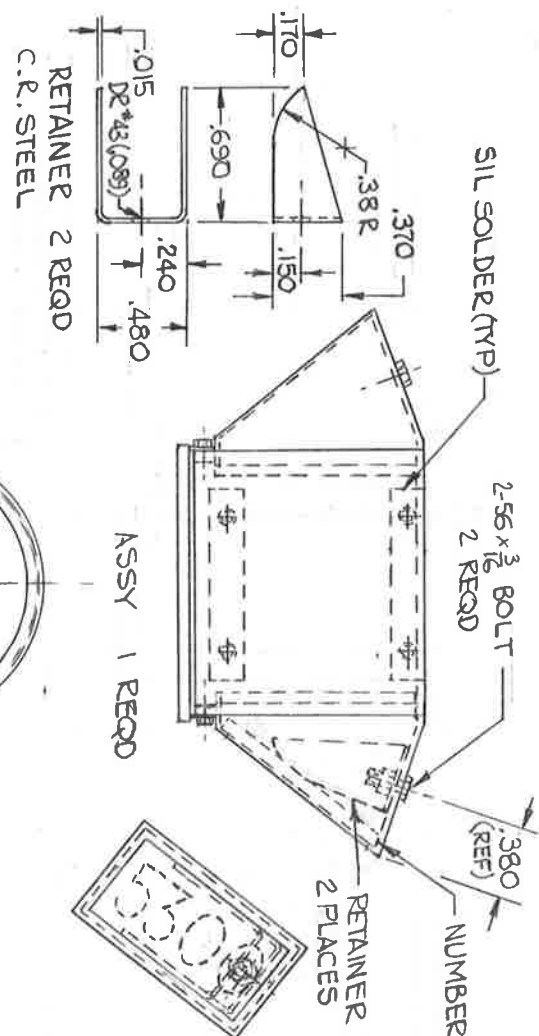


NUMBER BOARD BOX 2 REQD  
BRASS OR STEEL



HEADLIGHT DETAILS  
B & O P-7 5300 1"  
SHEET 2 OF 2  
I.D. ALKIRE 1962



HEADLIGHT DETAILS  
 B&O P-7 5300 1"  
 SHEET 1 OF 2  
 I.O. ALKIRE 1962