

MOUNTING BRACKET 1 REQD
 STEEL .040 THICK
 SHOWN FULL SIZE

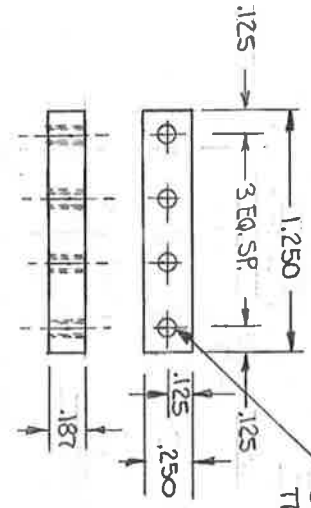
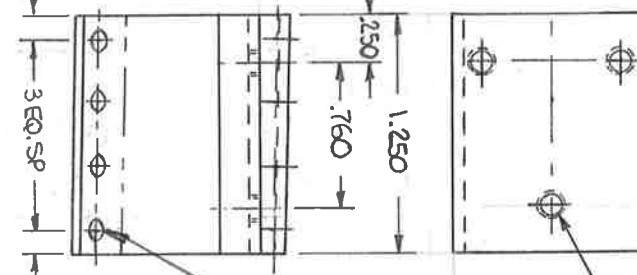


PLATE NUT 2 REQD
 STEEL FULL SIZE
 WELD TO BOILER SHELL



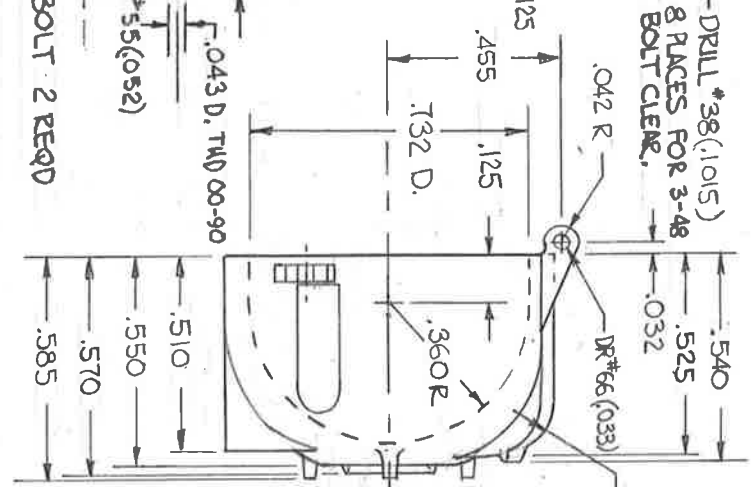
DRILL #46 (.0810)
 THD 3-48 4 PLACES

DR #55 (.052)

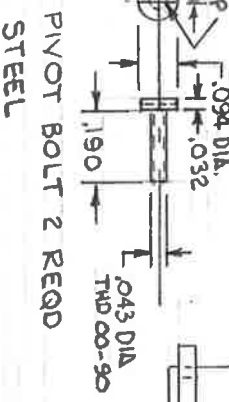
SWING BOLT 2 REQD
 STEEL

DRILL #38 (.1015) 3 PLACES
 THD 5-40

DRILL #38 (.1015)
 8 PLACES FOR 3-48
 BOLT CLEAR.

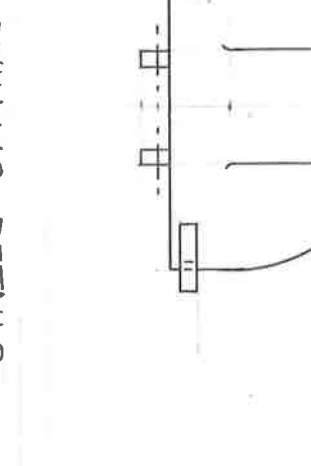


R.H. END BELL 1 REQD
 STEEL

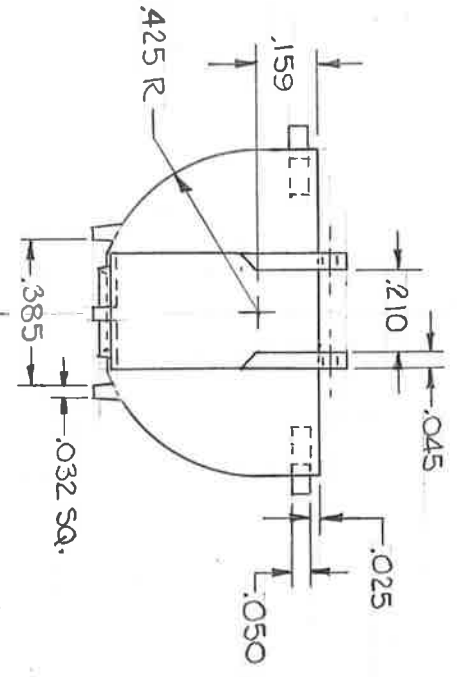
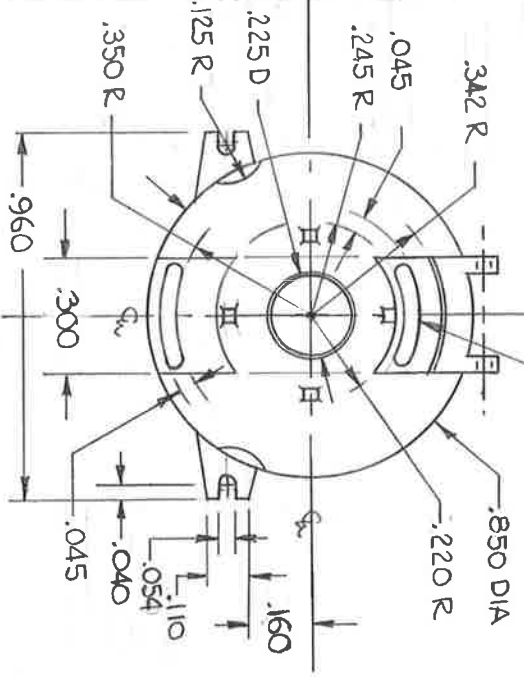


DR #63 (.037)
 THD 00-90

WING NUT 2 REQD
 BRASS



VENT HOLE (TYP)



DYNAMO DETAILS
 B & O P7 #5300 1" I.D. ALKIRE 1963
 2X SIZE & NOTED
 SHEET 5 OF 5