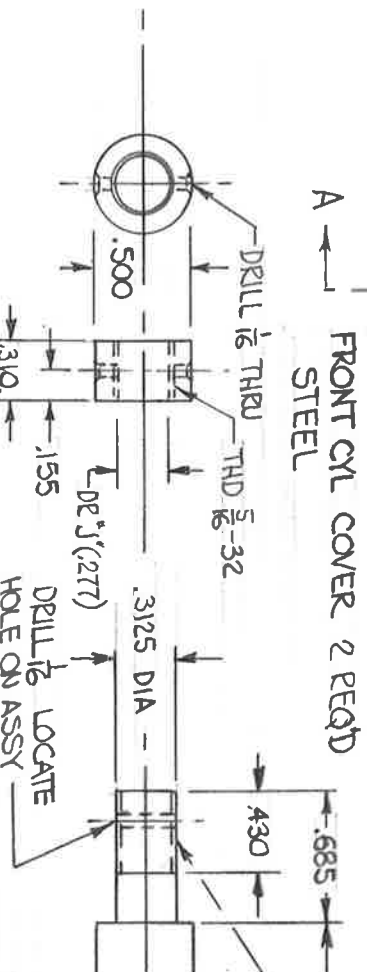
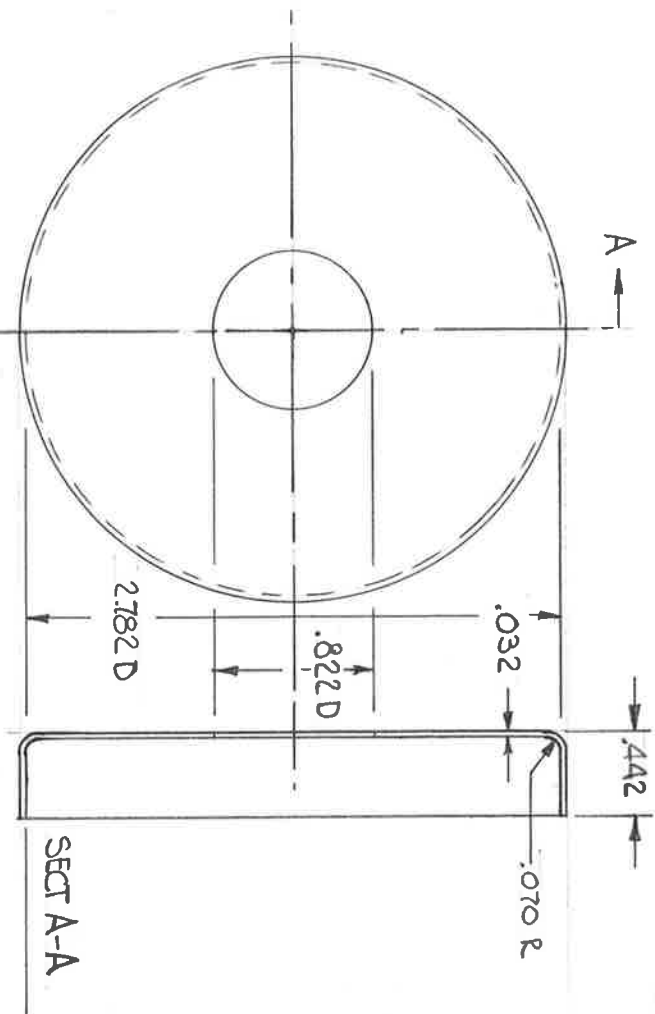


PISTON NUT
ST STEEL

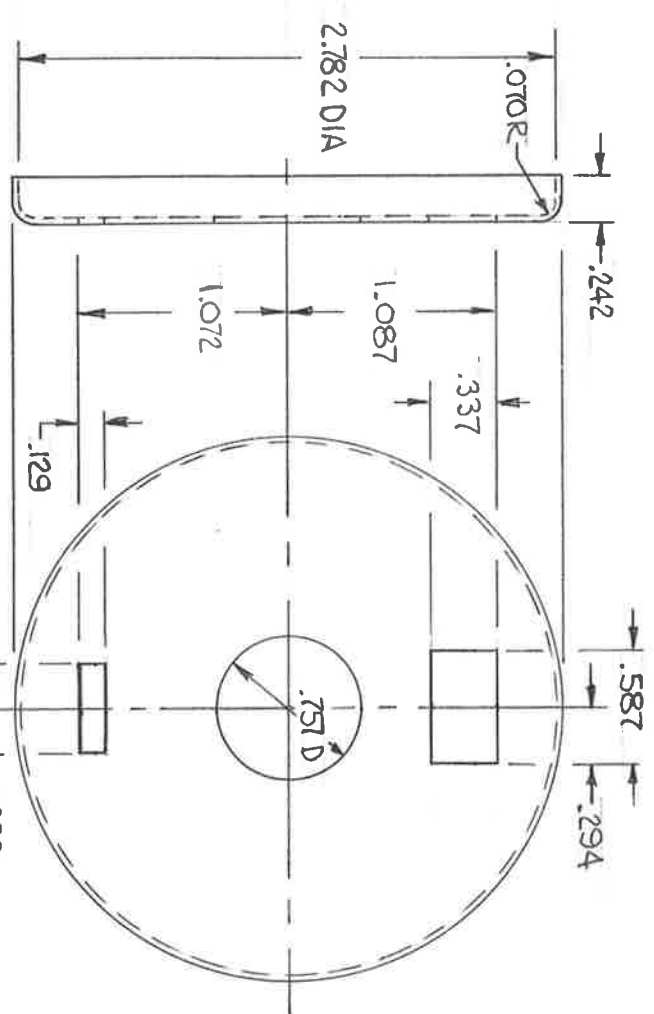


FRONT CYL COVER 2 REQD
STEEL

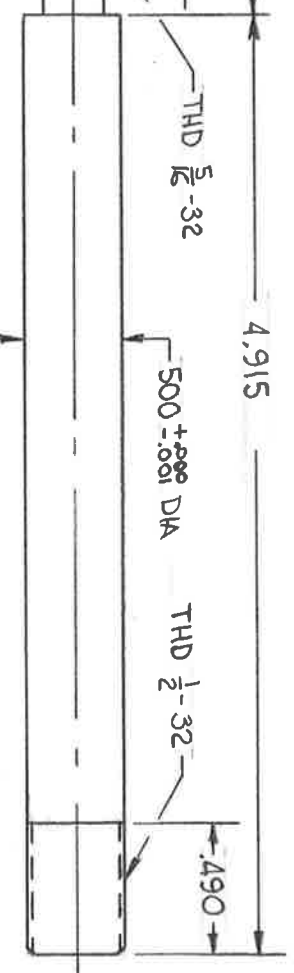


SECT A-A

REAR CYL COVER 2 REQD
STEEL



MAIN PISTON ROD
303 ST STEEL
2 REQD



MAIN CYLINDER DETAILS