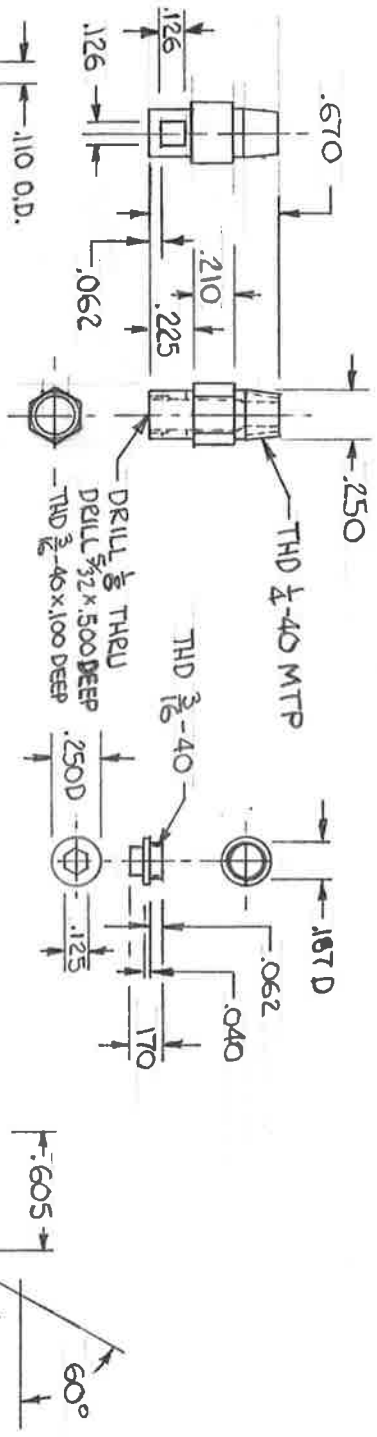
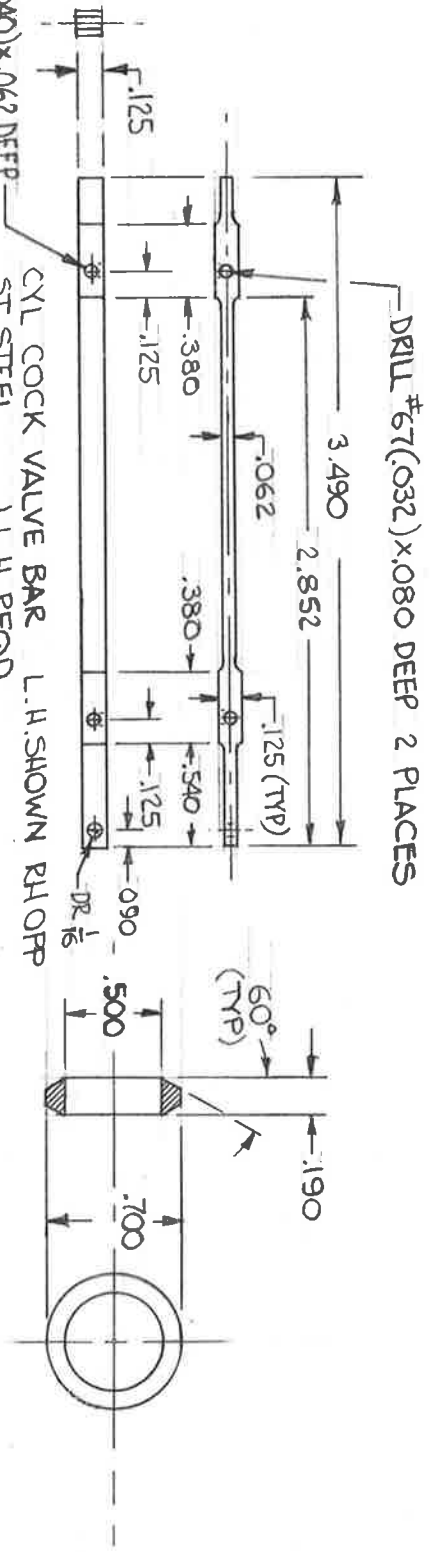


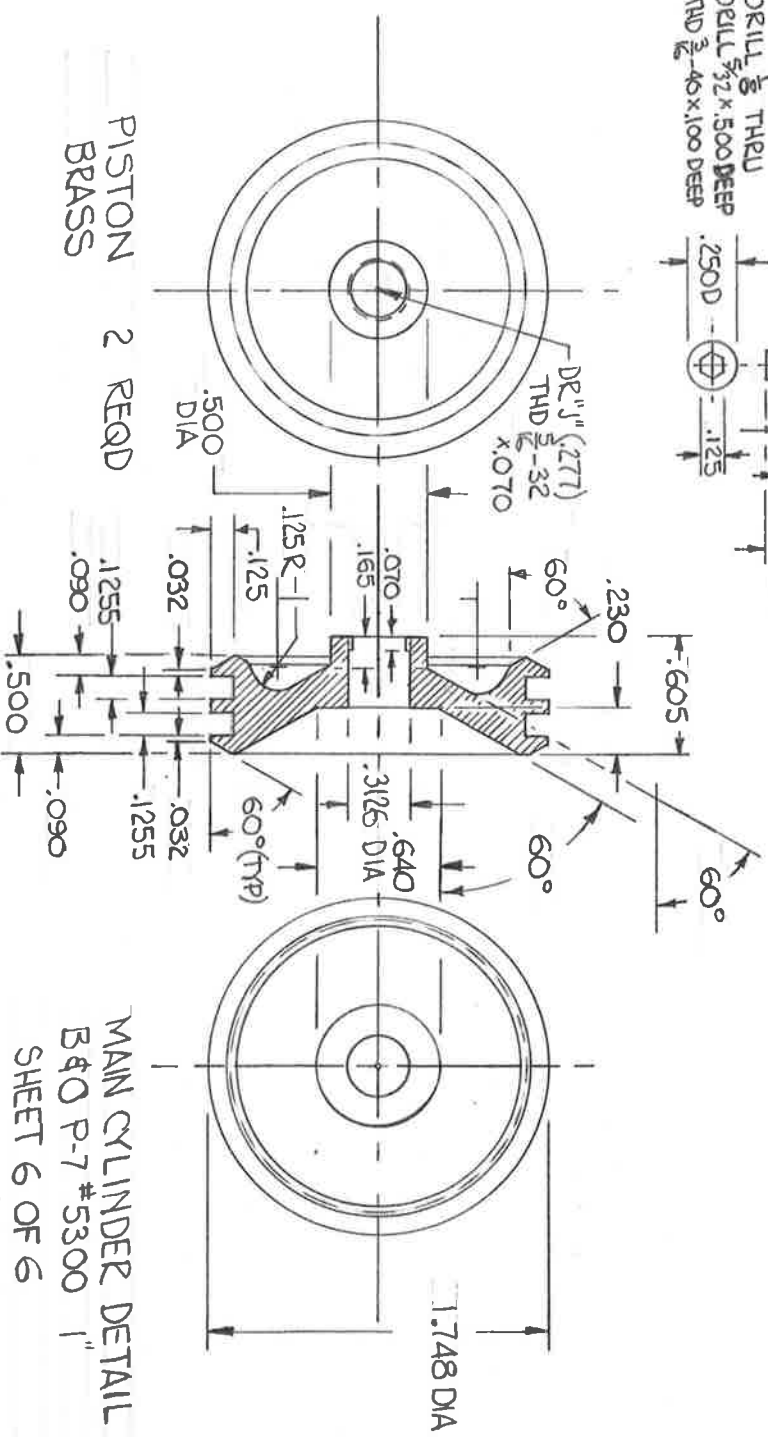
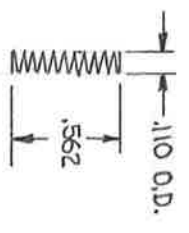
VALVE PISTON 4 REQ
BRASS

DRILL #60 (.040) x .062 DEEP
2 PLACES

CYL COCK VALVE BAR L.H. SHOWN R.H. OP
1 L.H. REQD
1 R.H. REQD



VALVE SPRING 4 REQD
ST. STEEL WIRE .015 DIA



PISTON BRASS 2 REQD

PISTON ROD PACKING
TEFLON 2 REQD

MAIN CYLINDER DETAIL
B & O P-7 #5300 1"
SHEET 6 OF 6
I. DALKIRE 1961