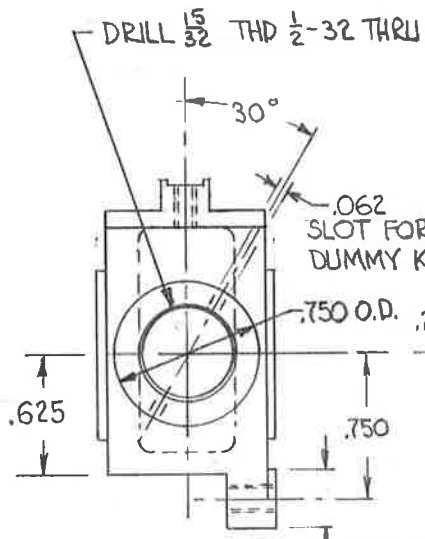
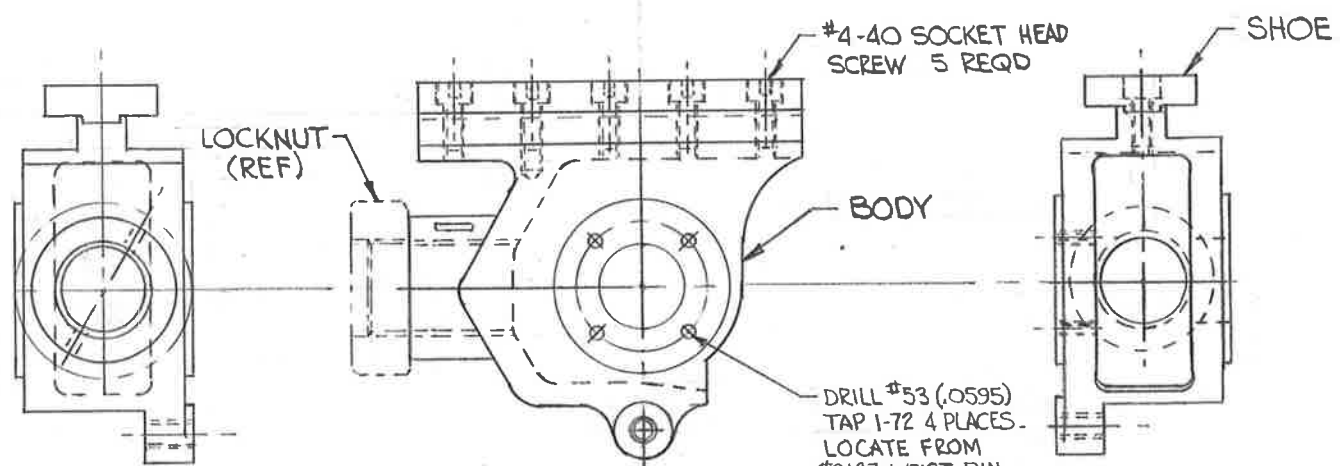
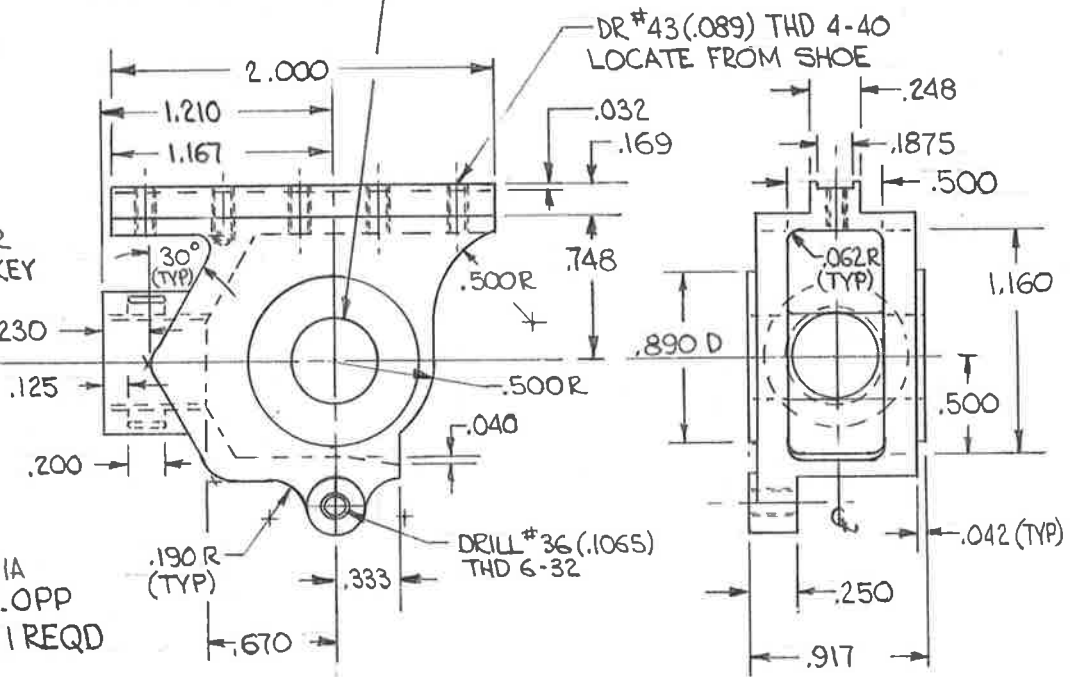


SHOE 2 REQD
CAST IRON

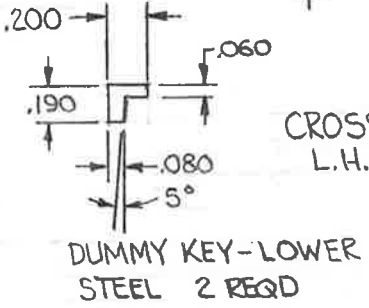
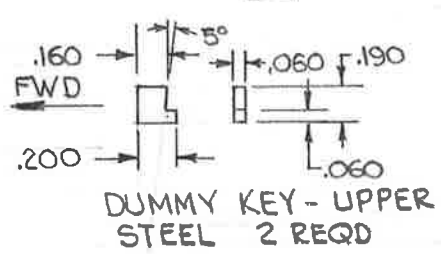
.4375 DIA LINE BORE



BODY L.H. SHOWN R.H. OPP
STEEL L.H. 1 REQD R.H. 1 REQD



DRILL #53 (.0595)
TAP 1-72 4 PLACES.
LOCATE FROM
#3127 WRIST PIN
USE 1-72 x 1/4 BOLT
ON FINAL ASSY.



CROSS HEAD ASSY
L.H. 1 REQD R.H. 1 REQD

MAIN CROSS-HEAD DETAILS
B&O P-7 #5300 1"