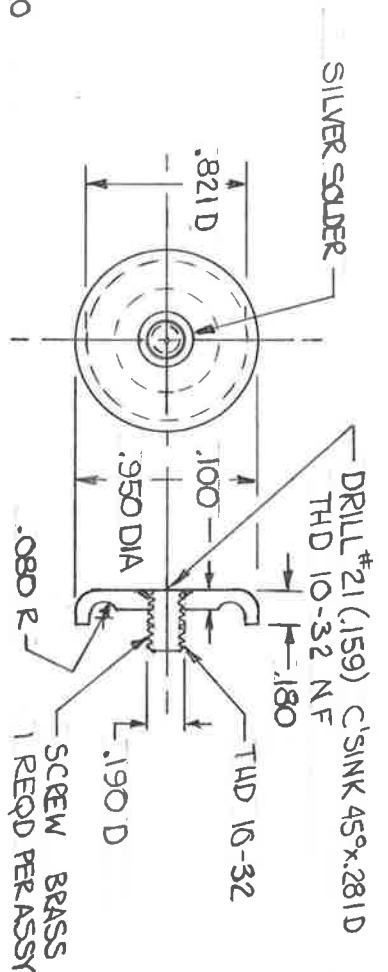


DRILL #32 (.116) 12 HOLES
C'BORE $\frac{3}{16}$ DIA x .045 DEEP

C'SINK 45° x 1.250 D
FOR SILVER SOLDER

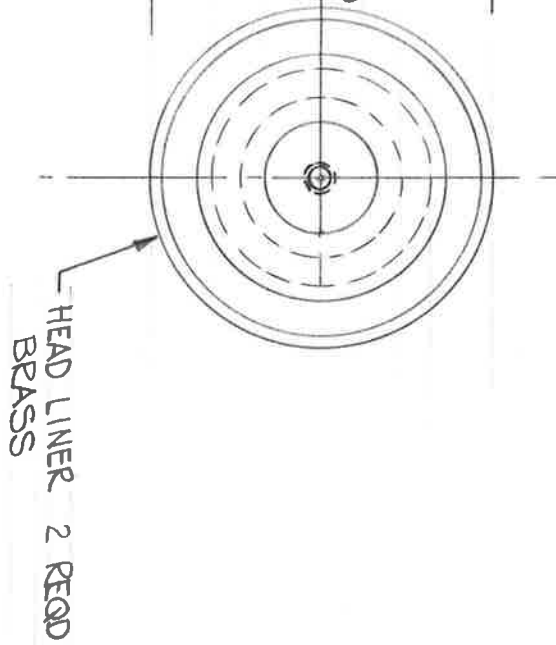
HEAD 2 REQD
STEEL



SILVER SOLDER

DRILL #21 (.159) C'SINK 45° x .281 D
THD 10-32 NF

THD 10-32
THD 16-32
SCREW BRASS
1 REQD PER ASSY
CAP 1 REQD PER ASSY
CAP ASSY 2 REQD



HEAD LINER 2 REQD
BRASS

B#0 P-7 #5300 1"
FWD CYLINDER HEAD
SHEET 3 OF 6
I.D. ALKIRE 1961