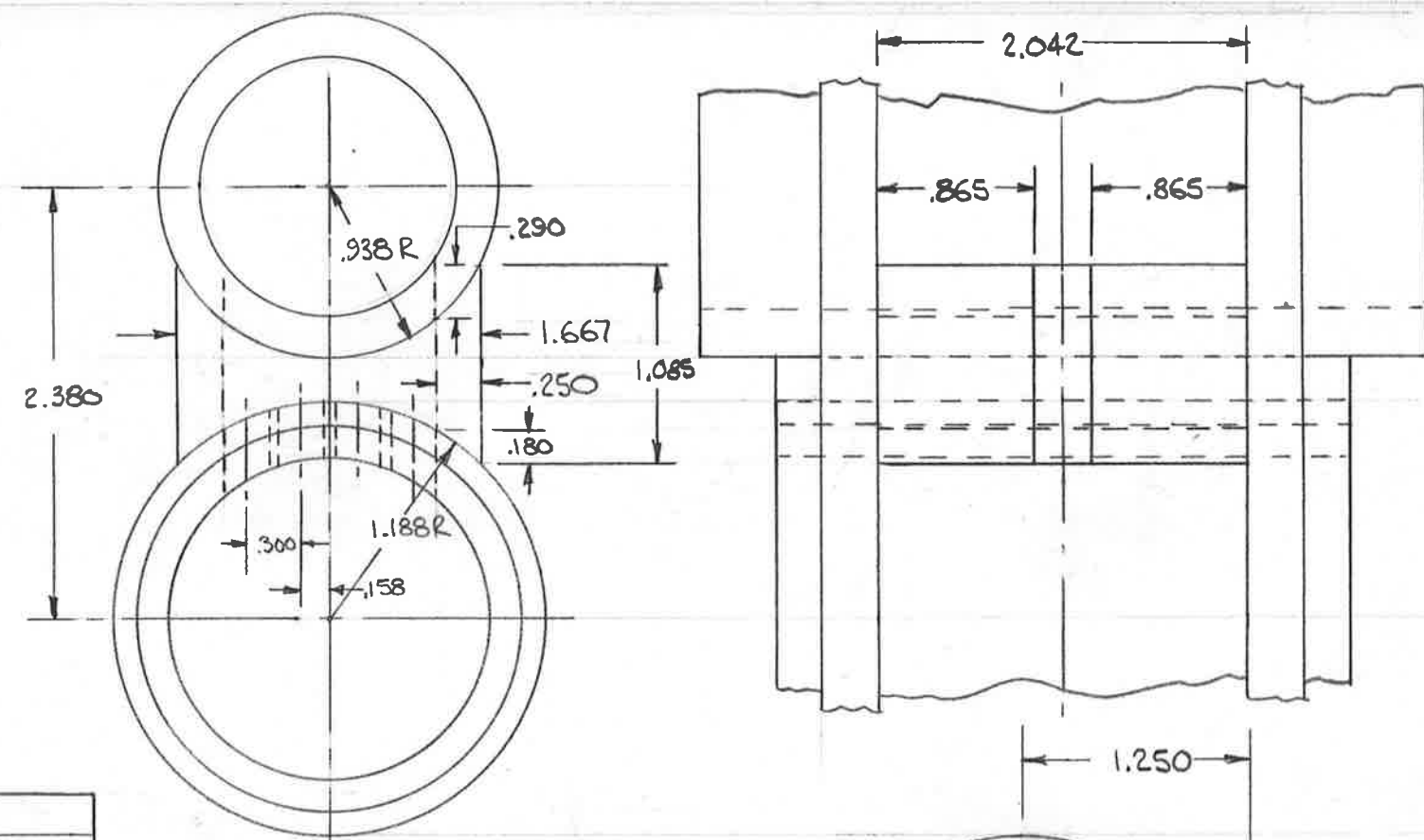
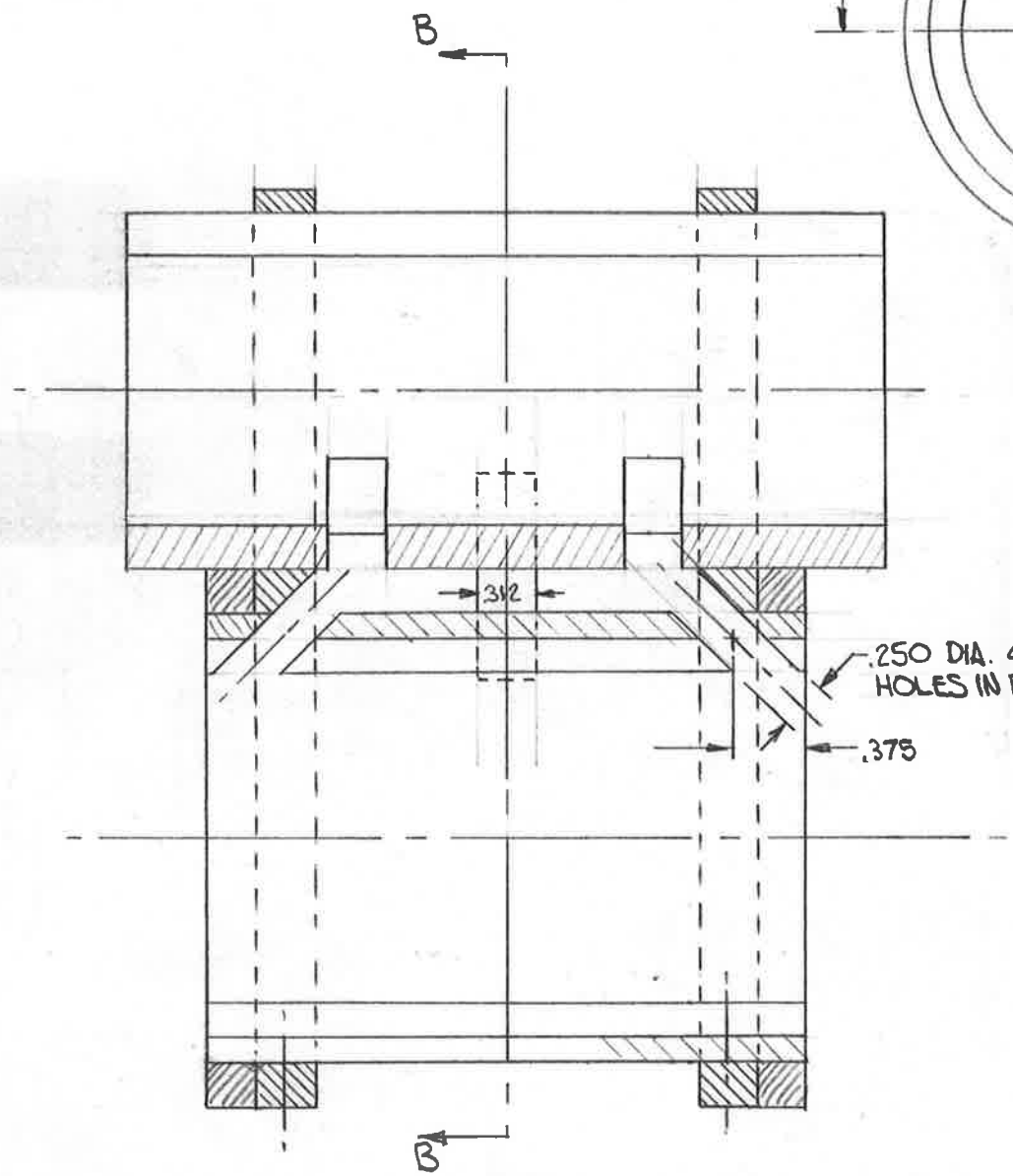


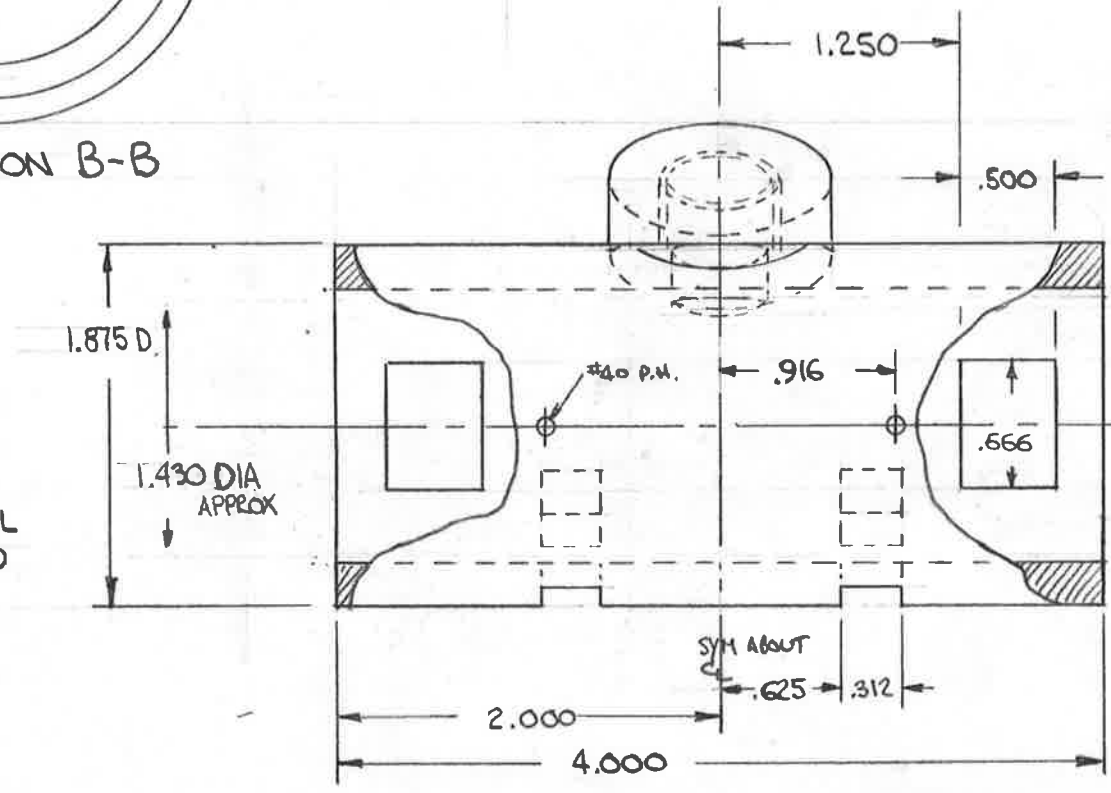
1" B80 P-7
 CYL. BLOCK WELDMENT
 I.D. ALKIRE 1961



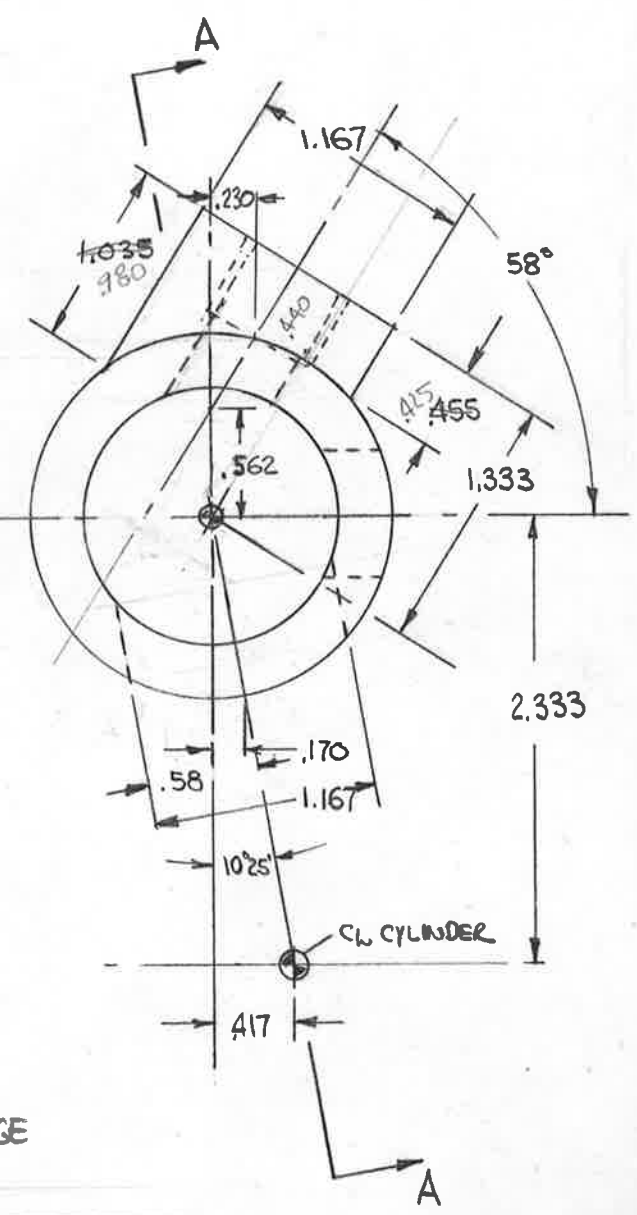
SECTION B-B



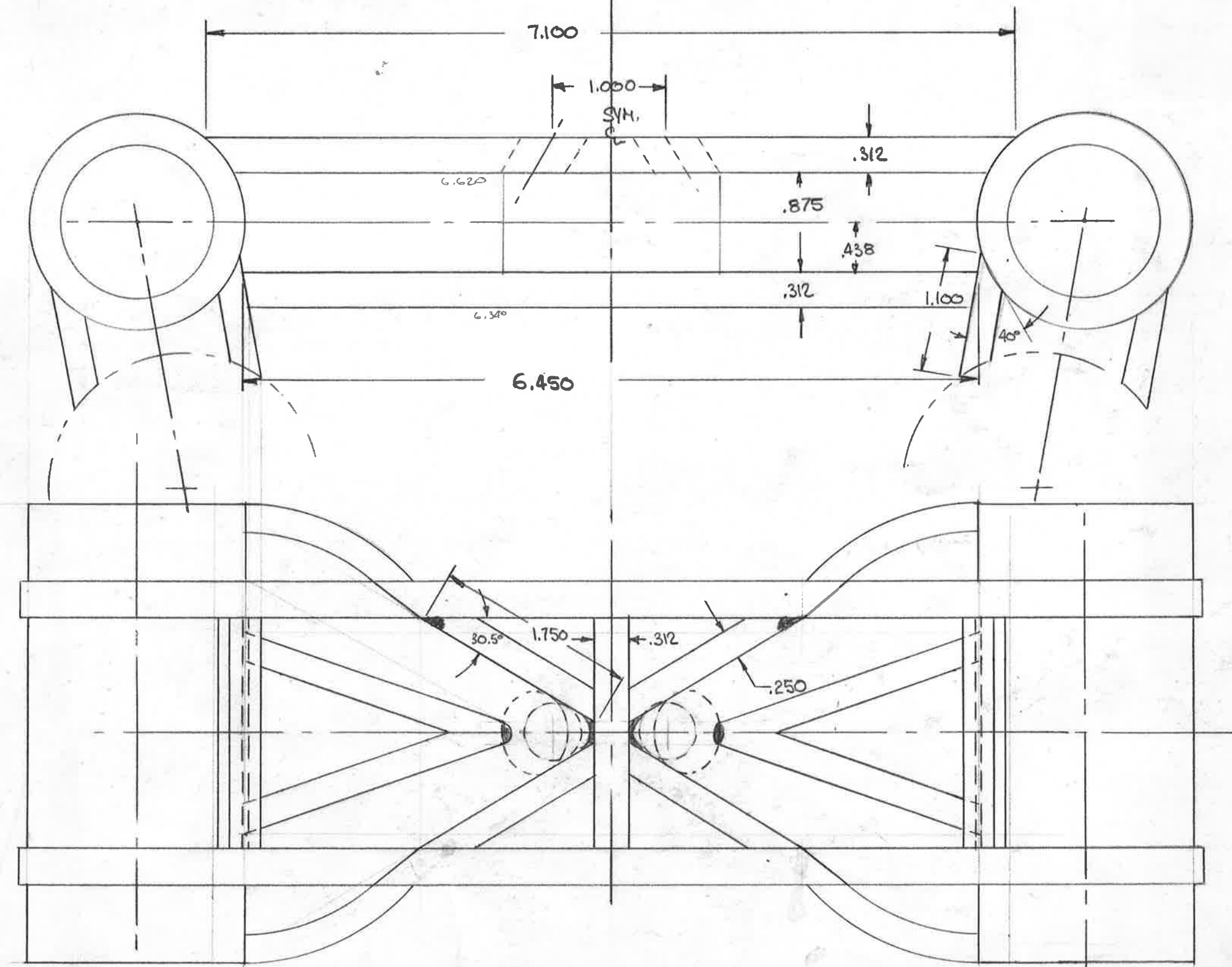
SECTION A-A
ROTATED 10°25' C.W.



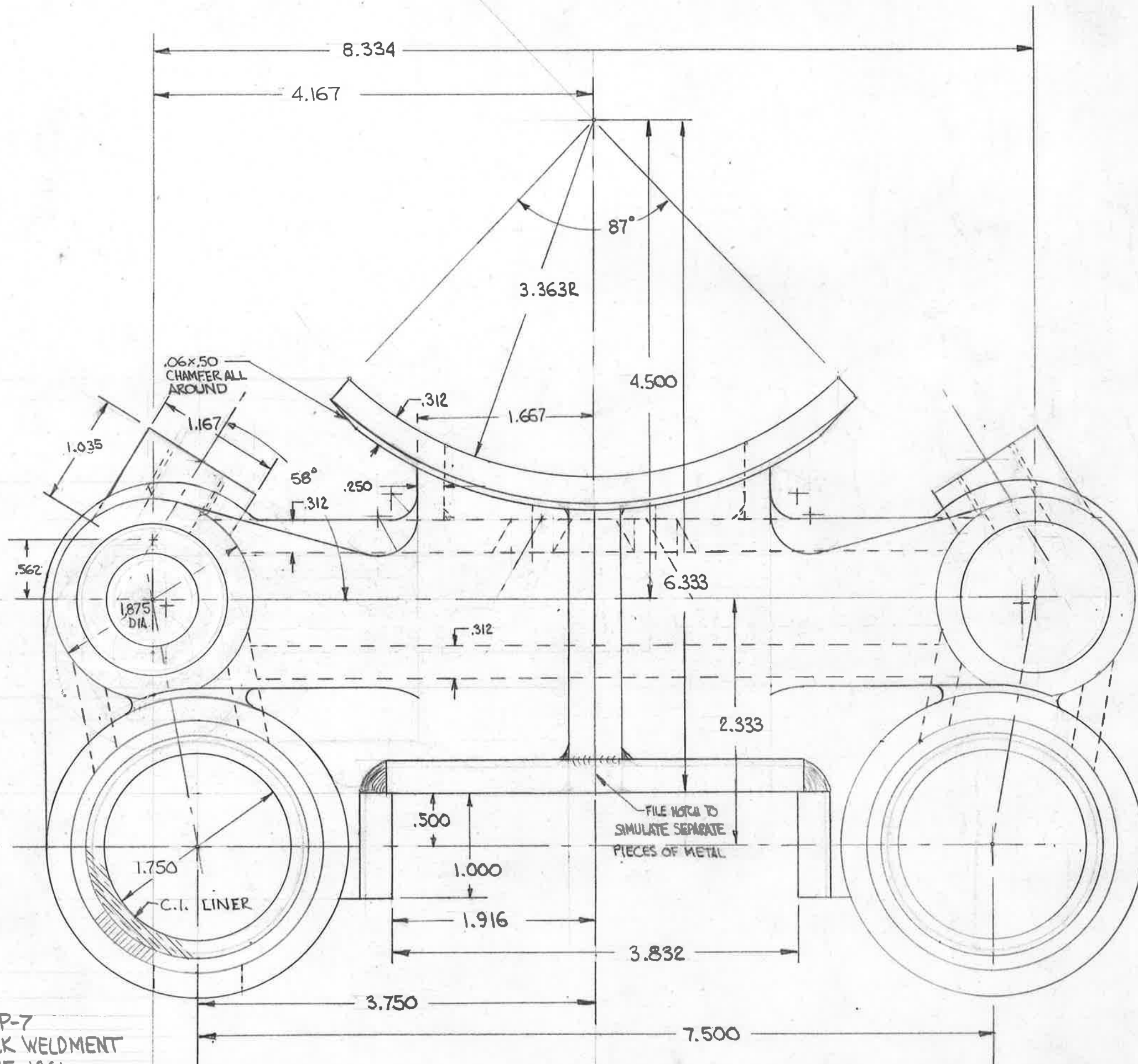
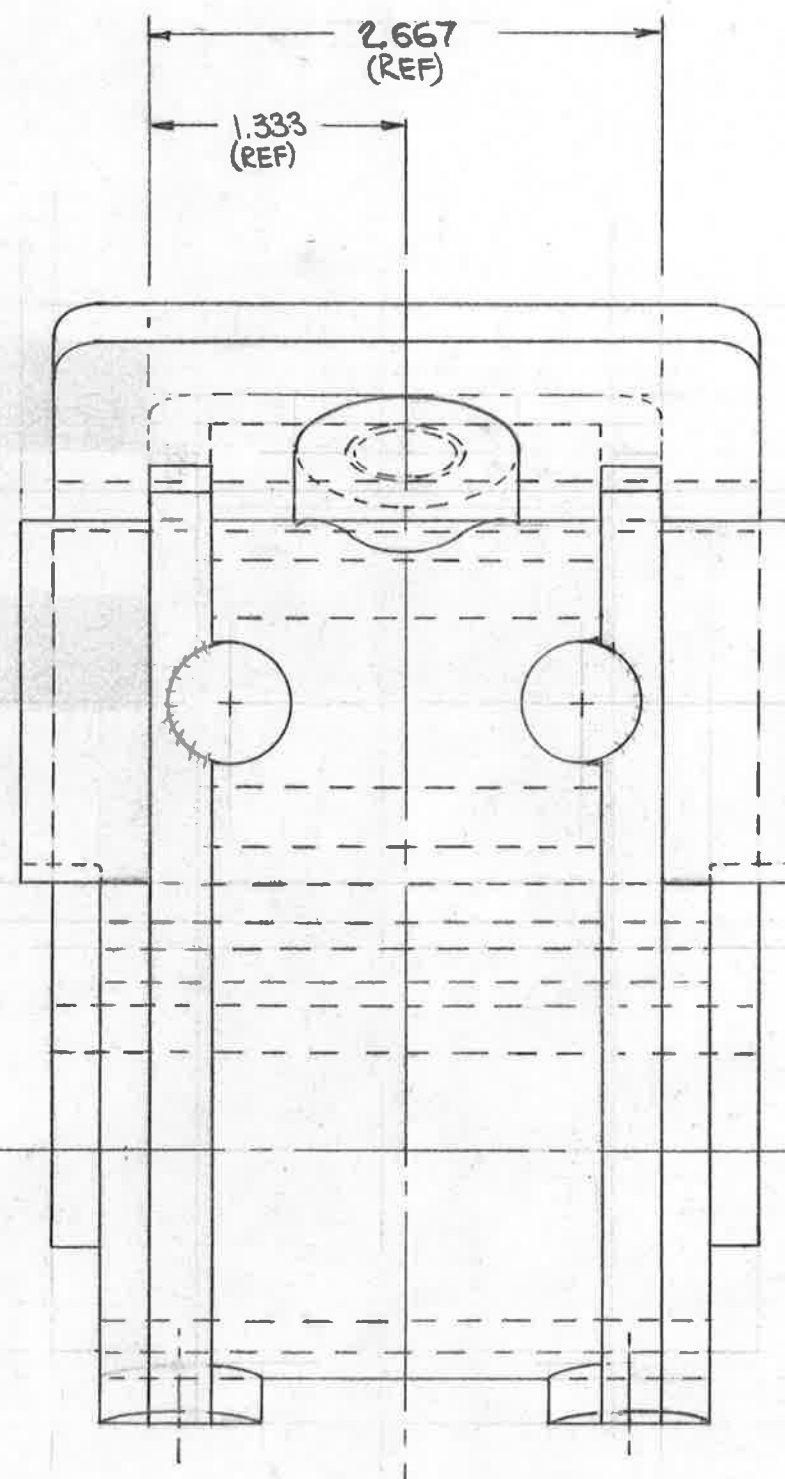
NOTE: COPPER TUBES WERE SILVER SOLDERED INTO PLACE, AS A MODIFICATION, BETWEEN THE VALVE CHEST AND CYL, TO PREVENT LEAKAGE



1" B&O P-7
CYL. BLOCK WELDMENT
I.D. ALKIRE 1961



1" B&O P-7
 CYL BLOCK WELDMENT
 T.D. ALKIRE 1961



1" B & O P-7
CYL. BLOCK WELDMENT
I.D. ALKIRE 1961