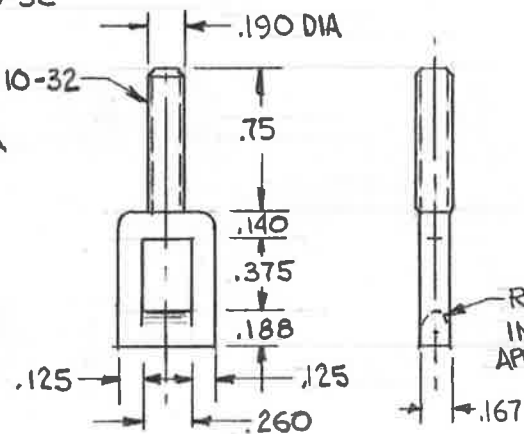
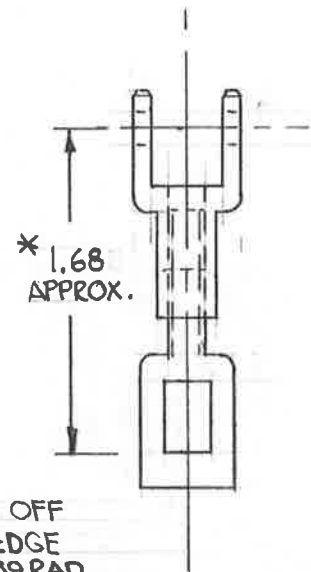


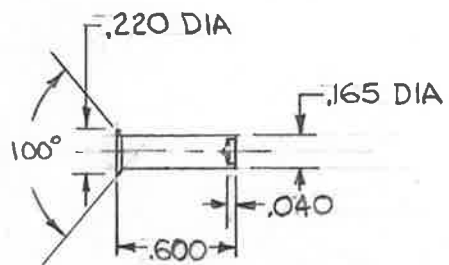
UPPER SECTION
T.T. SPRING LINKS
STEEL 4 REQD



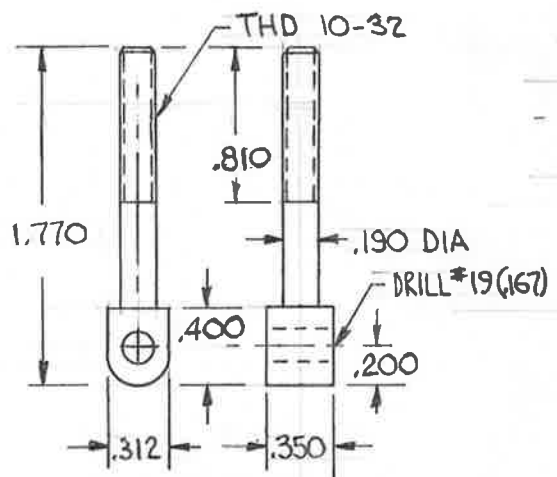
LOWER SECTION
FWD LINK
STEEL 2 REQD



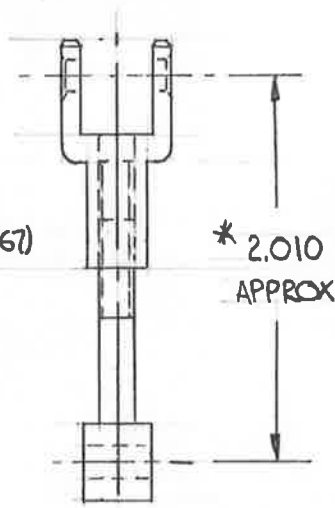
T.T. FWD LINK ASSY
* DIM. IN RIGGED POSITION



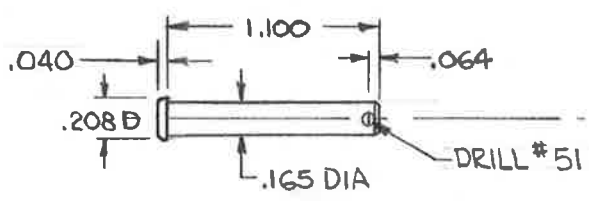
SPRING EYE PIN T.T. LINKS
ST. STEEL 4 REQD



LOWER SECTION
AFT LINK
STEEL 2 REQD



T.T. AFT LINK ASSY
* DIM. IN RIGGED POSITION
WITH LITTLE ENGINES CASTING



AFT LINK LOWER PIN
ST STEEL 2 REQD