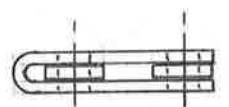
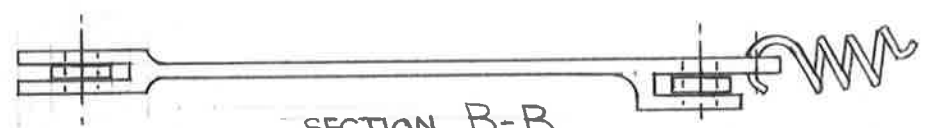


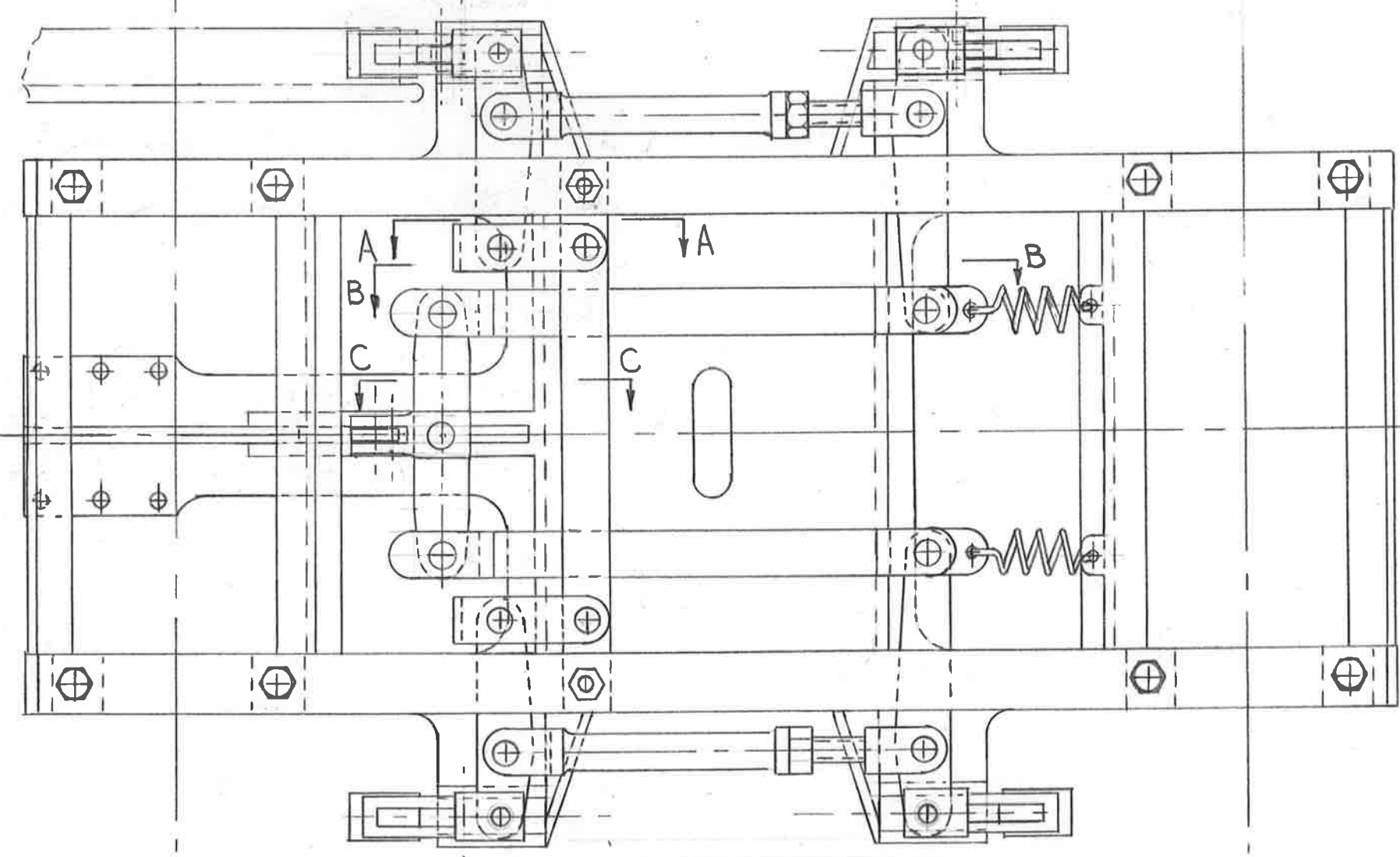
SECTION C-C



SECTION A-A



SECTION B-B



LEAD TRUCK BRAKE INSTAL
 B40 P7 1" I.D. ALKIRE 1963