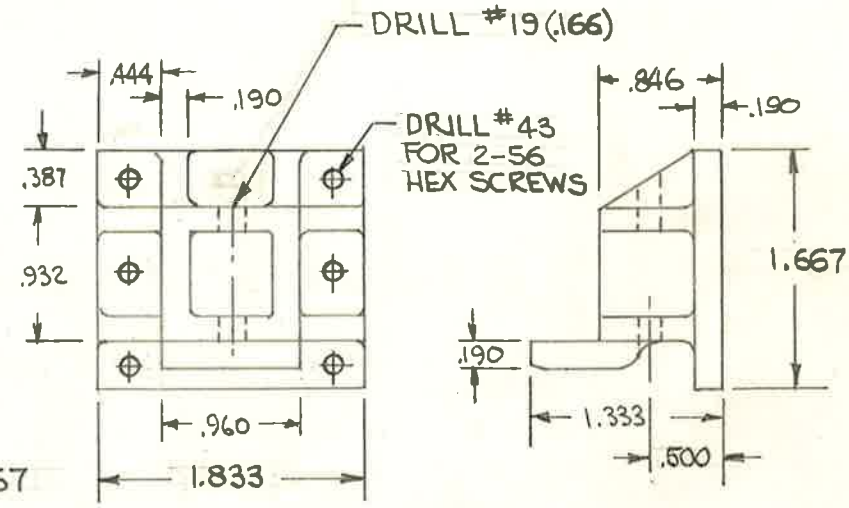
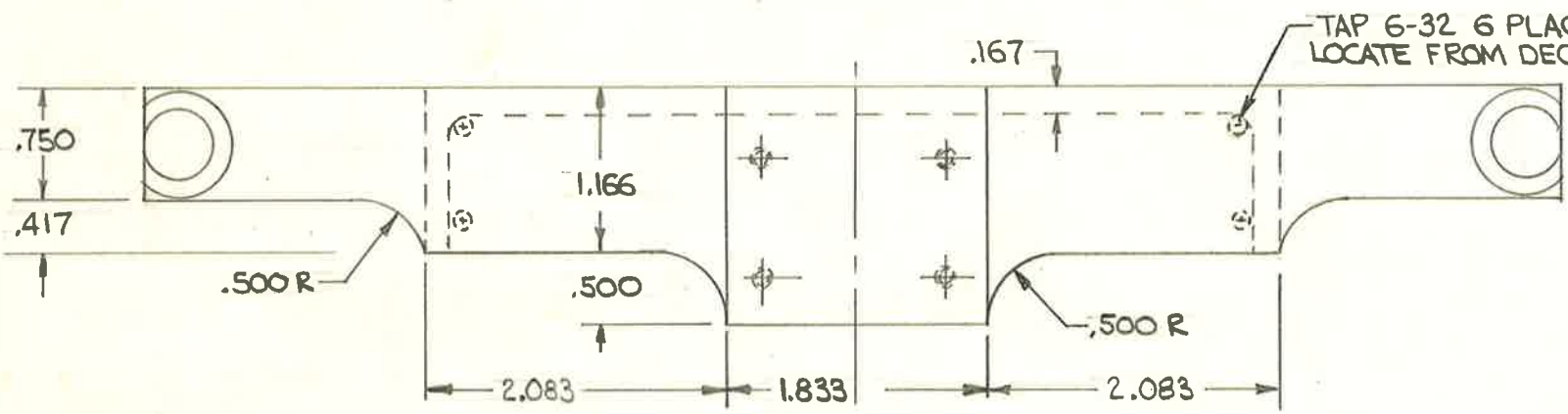
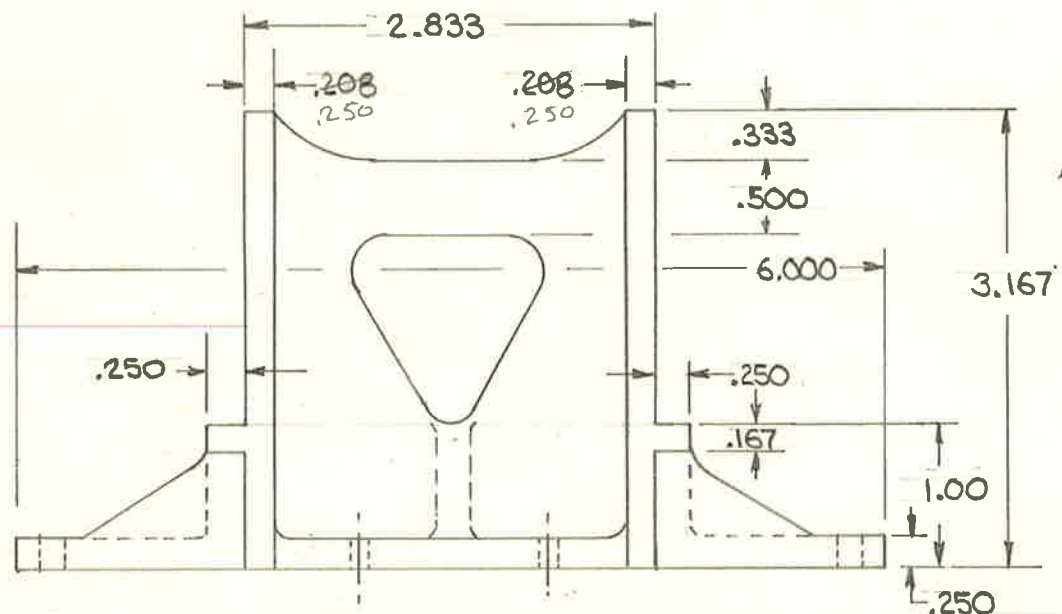


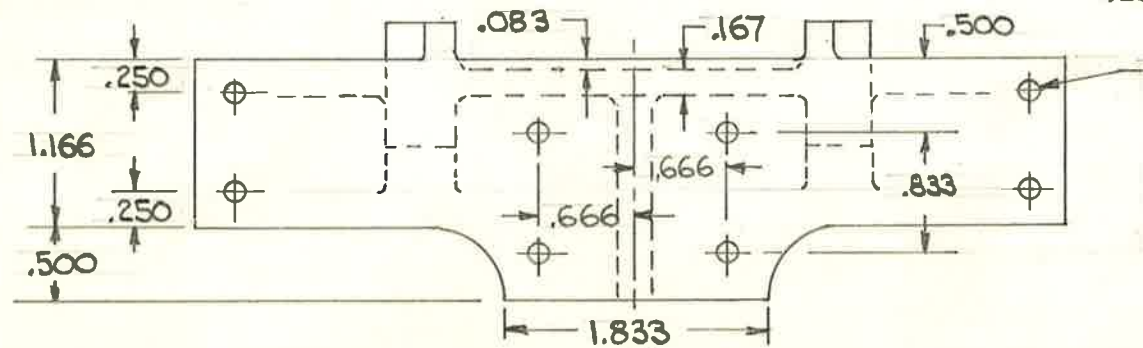
BUMPER #1130 1 REQD



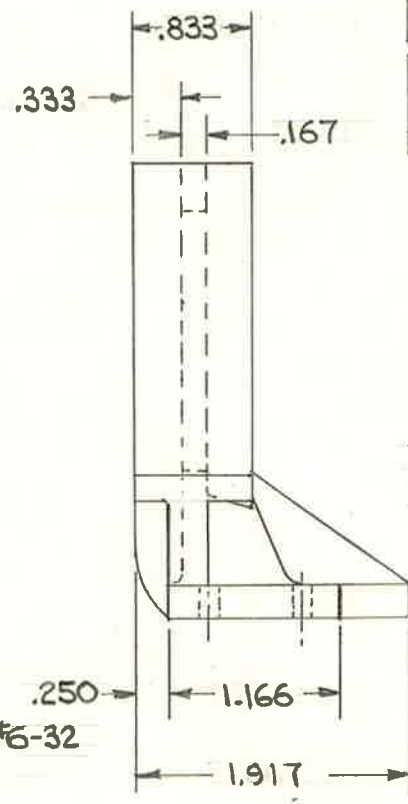
COUPLER POCKET #3130 1 REQD



BUMPER DECK PLATE #2130 1 REQD STEEL



DRILL FOR #6-32 SCREWS #28 (.1405)



SCALE 1" = 1' DIMS
PICTURE 3/4" SCALE
I.O. ALKIRE 1960