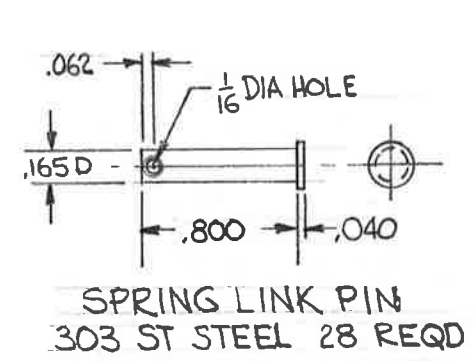
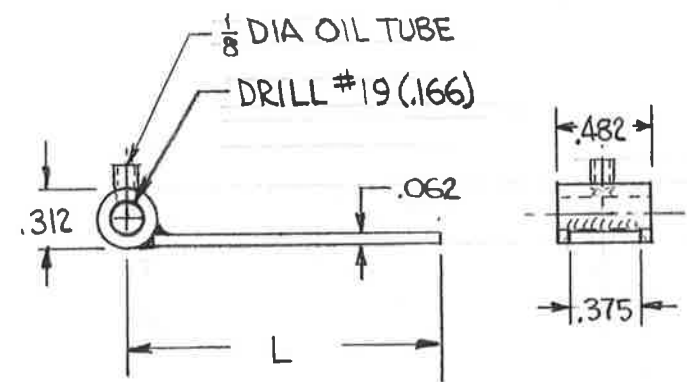


ITEM	QUAN.	L
1	4	2.438
2	4	2.260
3	8	2.210
4	4	2.130

DRILL #19(.166) 2 HOLES
LINK
STEEL 10 REQD

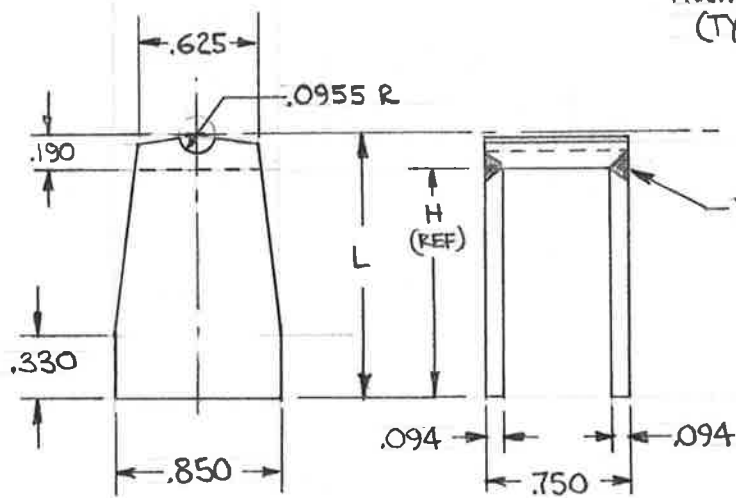


SPRING LINK PIN
303 ST STEEL 28 REQD



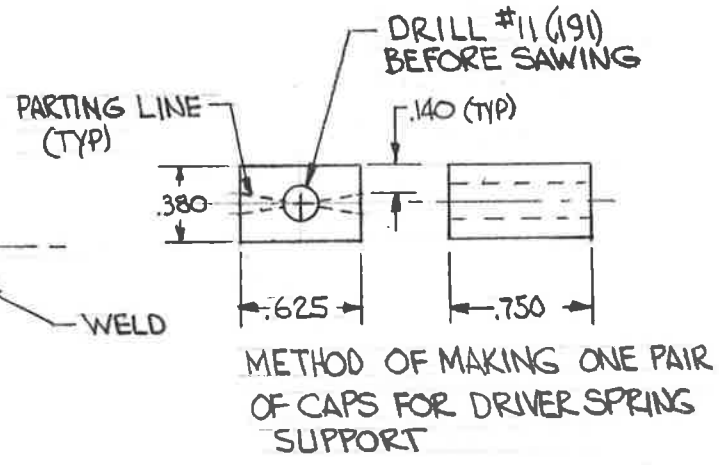
ITEM	QUAN	L
1	10	1.625
2	6	1.725

SPRING LEAF EYELET
STEEL 16 REQD

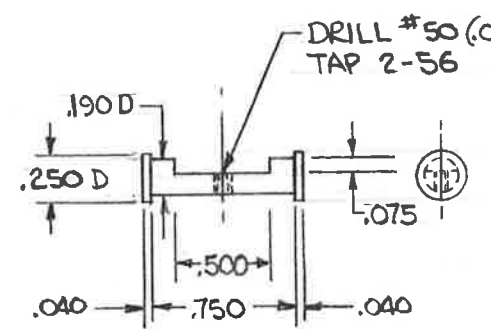


DRIVER SPRING SUPPORT
STEEL

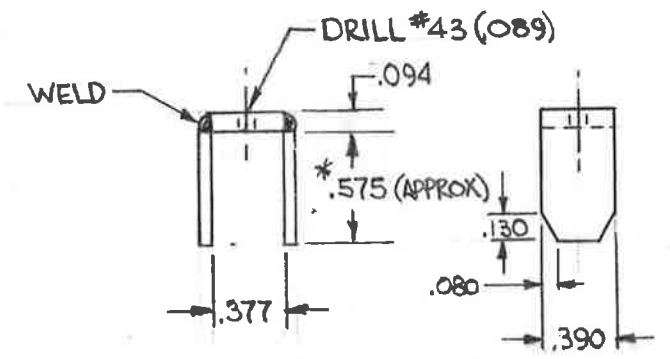
REQD	L	H
4	1.380	1.190
2	1.250	1.060



METHOD OF MAKING ONE PAIR
OF CAPS FOR DRIVER SPRING
SUPPORT



SPRING ROCKER PIN
ST STEEL 6 REQD



SPRING CLAMP
STEEL 8 REQD
*DETERMINE BY ACTUAL
MEASUREMENT

DRIVER SPRING ATTACH DETAILS
1" B&OP-7 I.D. ALKIRE 1961