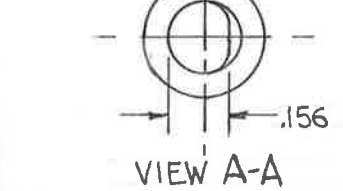
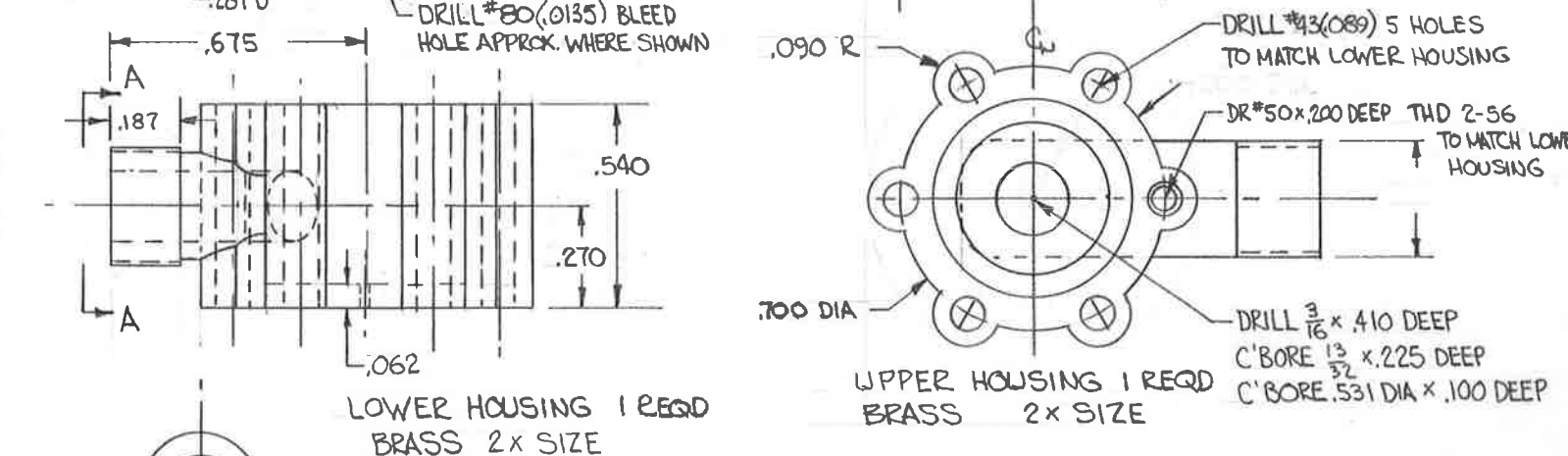
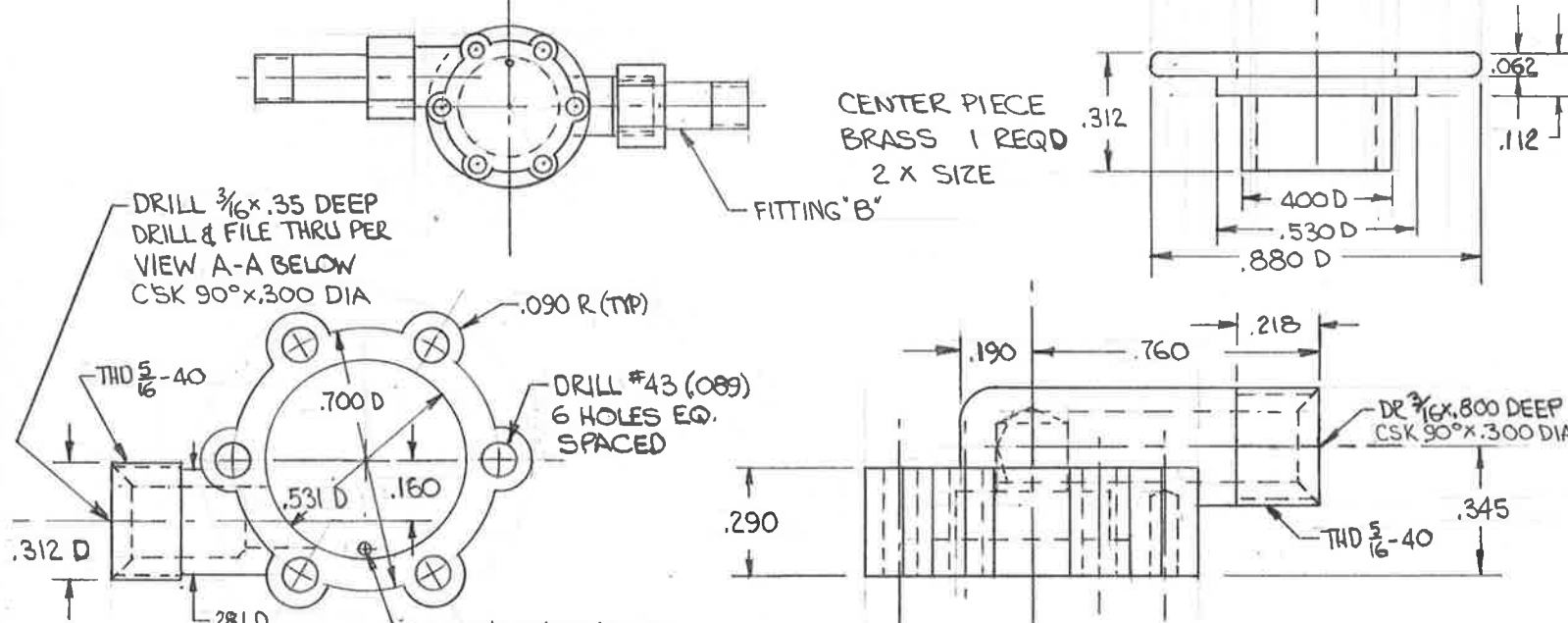
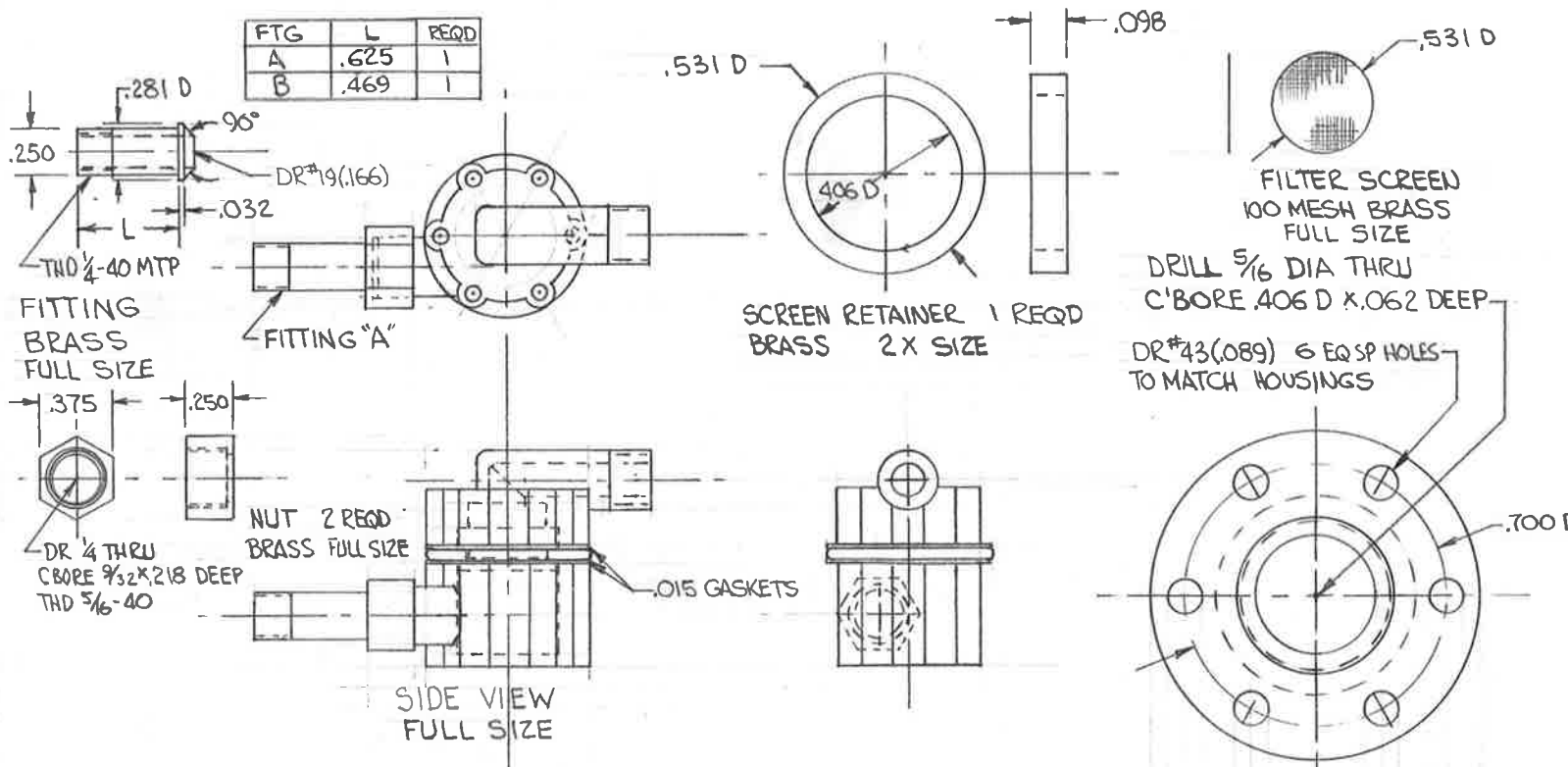


FTG	L	REQD
A	.625	1
B	.469	1



WHISTLE VALVE FILTER
B&O P-7 #5300 1"
I.D. ALKIRE 1964