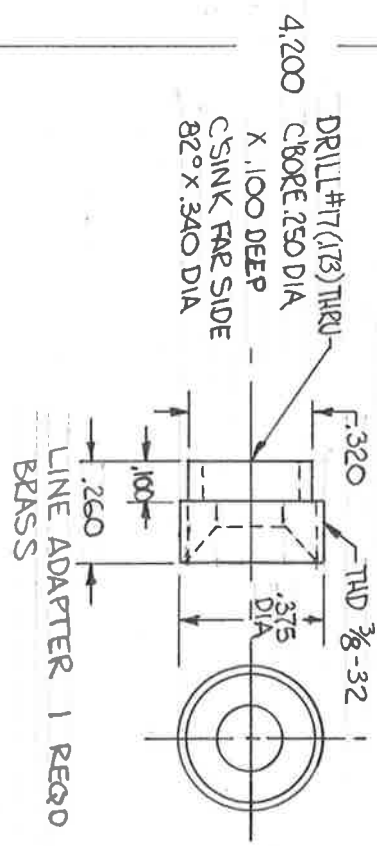
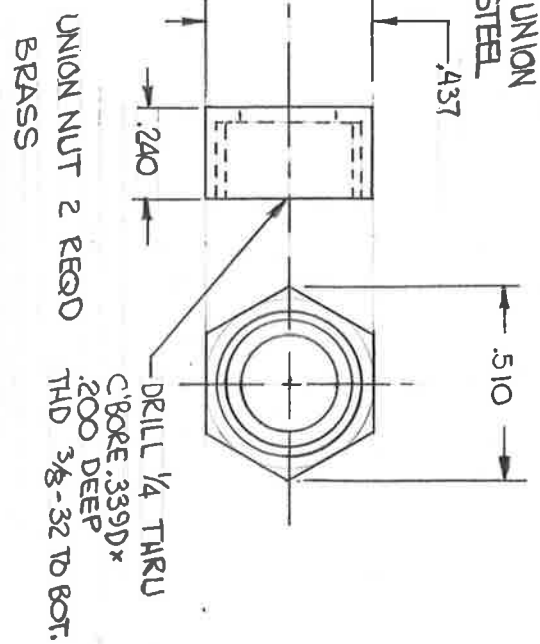
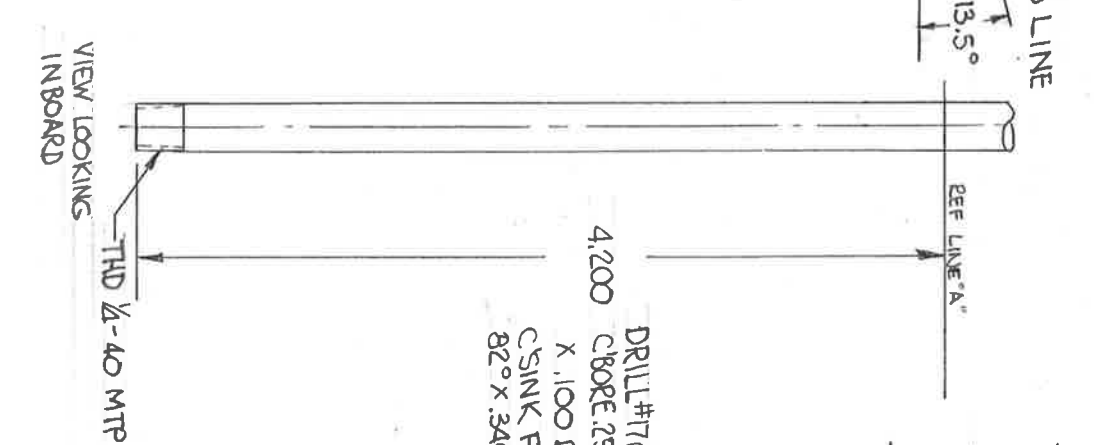
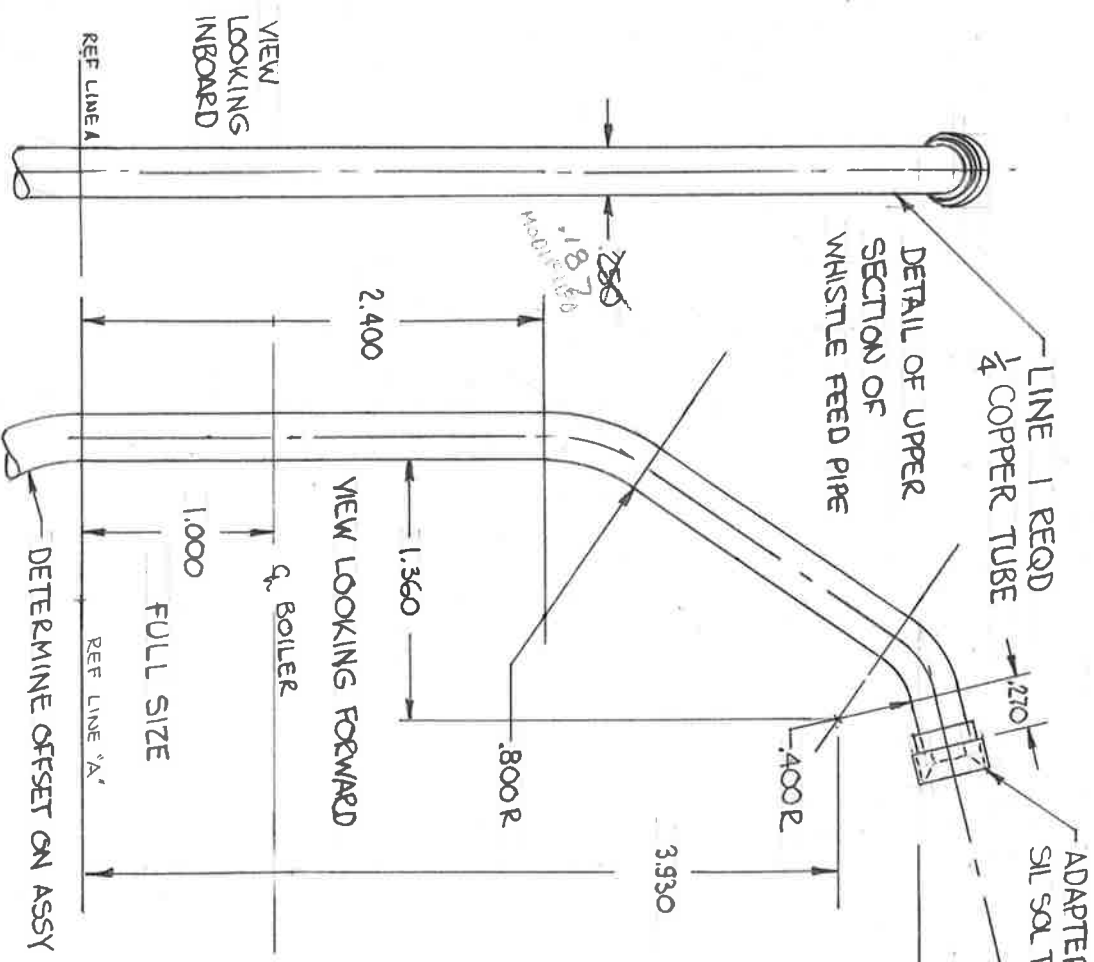


DRILL #17 (.173) THRU C'SINK 82° X .340 DIA TURRET ADAPTER. 1 REQD ON TURRET TO WHISTLE VALVE UNION MATERIAL - BRASS OR ST. STEEL

WHISTLE VALVE ADAPTER 2 REQD ON TURRET TO WHISTLE VALVE UNION MATERIAL - BRASS OR ST. STEEL



DETAILS
WHISTLE STEAM SUPPLY LINE
B & O P-7 #5300 1" I.D.A. 1.66
2X SIZE EXCEPT AS NOTED