

TOP VIEW A-A

A

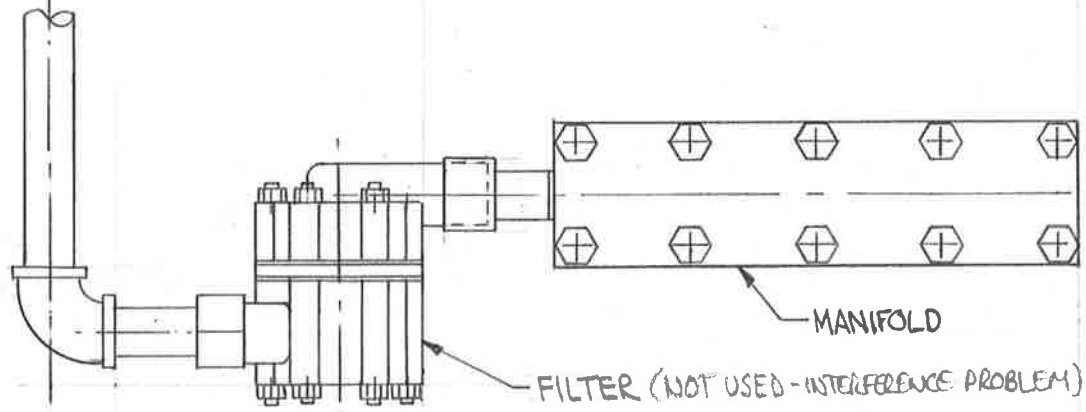
A

CLAMP

RIGHT HAND VIEW LOOKING INBOARD
DRAINAGE SLOPE NOT SHOWN

VIEW LOOKING FORWARD
DRAINAGE SLOPE NOT SHOWN

TO WHISTLE VALVE



MANIFOLD

FILTER (NOT USED - INTERFERENCE PROBLEM)

LEFT HAND VIEW LOOKING INBOARD
DRAINAGE SLOPE NOT SHOWN

WHISTLE DETAILS

B & O P-7*5300 1"

I.D. ALKIRE 1965