

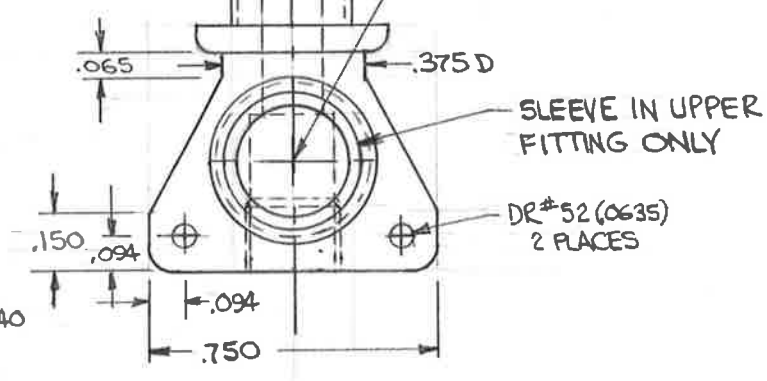
THD 3/16-40
X.200 DEEP

DR 5/32 (.156) THRU
C'BORE 7/32 (.219) X.410 DEEP
THD 1/4-40 X.170 DEEP

- ① UPPER FITTING 1 REQD
- ② LOWER FITTING 1 REQD

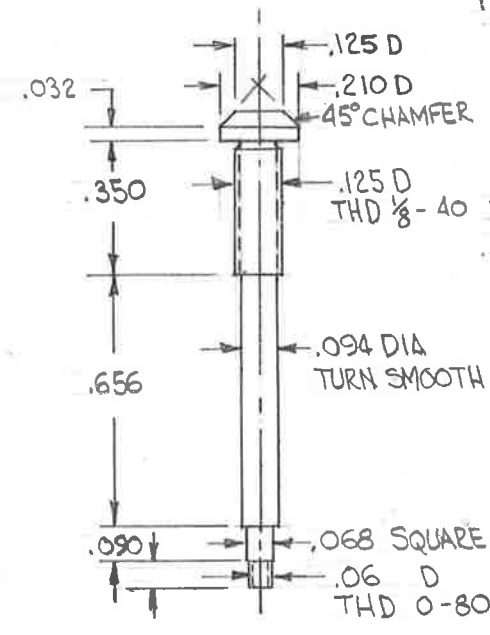
MATL - ALUMINUM BRONZE

- DR 5/32 (.156) THRU
- DR 3/16 (.1875) X.50 DEEP
- ① DR 23/64 (.3593) X.280 DEEP
- ② DR "M" (.295) X.280 DEEP



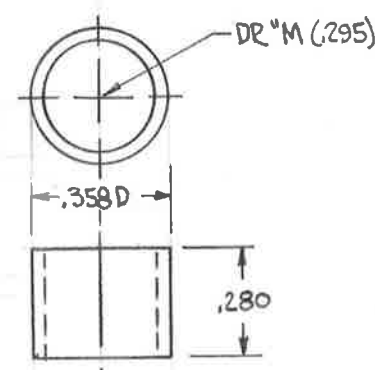
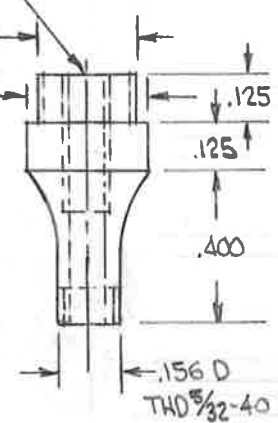
SLEEVE IN UPPER
FITTING ONLY

DR #52 (.0635)
2 PLACES



VALVE SPINDLE 2 REQD
303 ST. STEEL OR EQUIV.

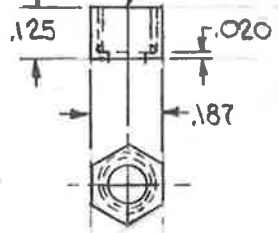
DRILL 3/32 (.0937) THRU
THD 1/8-40 X.350 DEEP



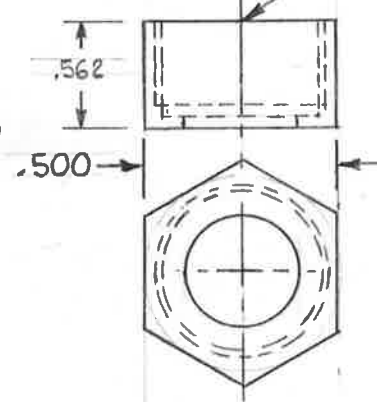
SLEEVE - 1 REQD
ALUMINUM BRONZE

DR "M" (.295) THRU
DR 1 1/32 (.406) X.530 DEEP
THD 1/16-40 X.217 DEEP

DR 3/32 (.094) THRU
C'BORE .125 X.105 DEEP
THD 5/32-40



PACKING NUT 2 REQD
ALUMINUM BRONZE



PACKING NUT - 2 REQD
ALUM. BRONZE

WATER-GLASS FITTINGS
B&O P-7 #5300 1"
ALKIRE 2-3-68