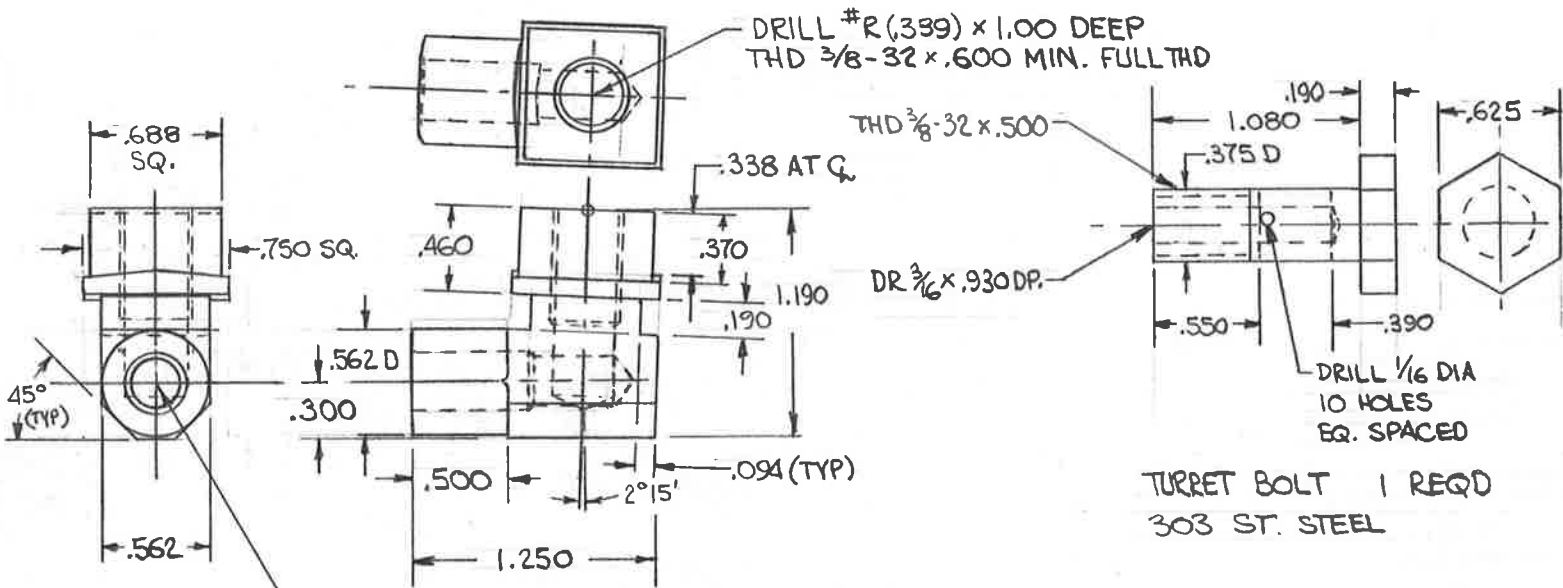


STEAM DOME MANIFOLD 1 REQD
 TYPE 304 ST. STEEL WELD ROD TYPE 316 ST STEEL



DRILL $\frac{1}{4}$ x 1.062 DEEP
 DRILL $\frac{5}{16}$ x .60 DEEP
 TURRET BASE FITTING 1 REQD
 304 STAINLESS STEEL

TURRET BOLT 1 REQD
 303 ST. STEEL

STEAM FITTINGS
 B&O P-7 #5300 1"
 I.D. ALKIRE 1966