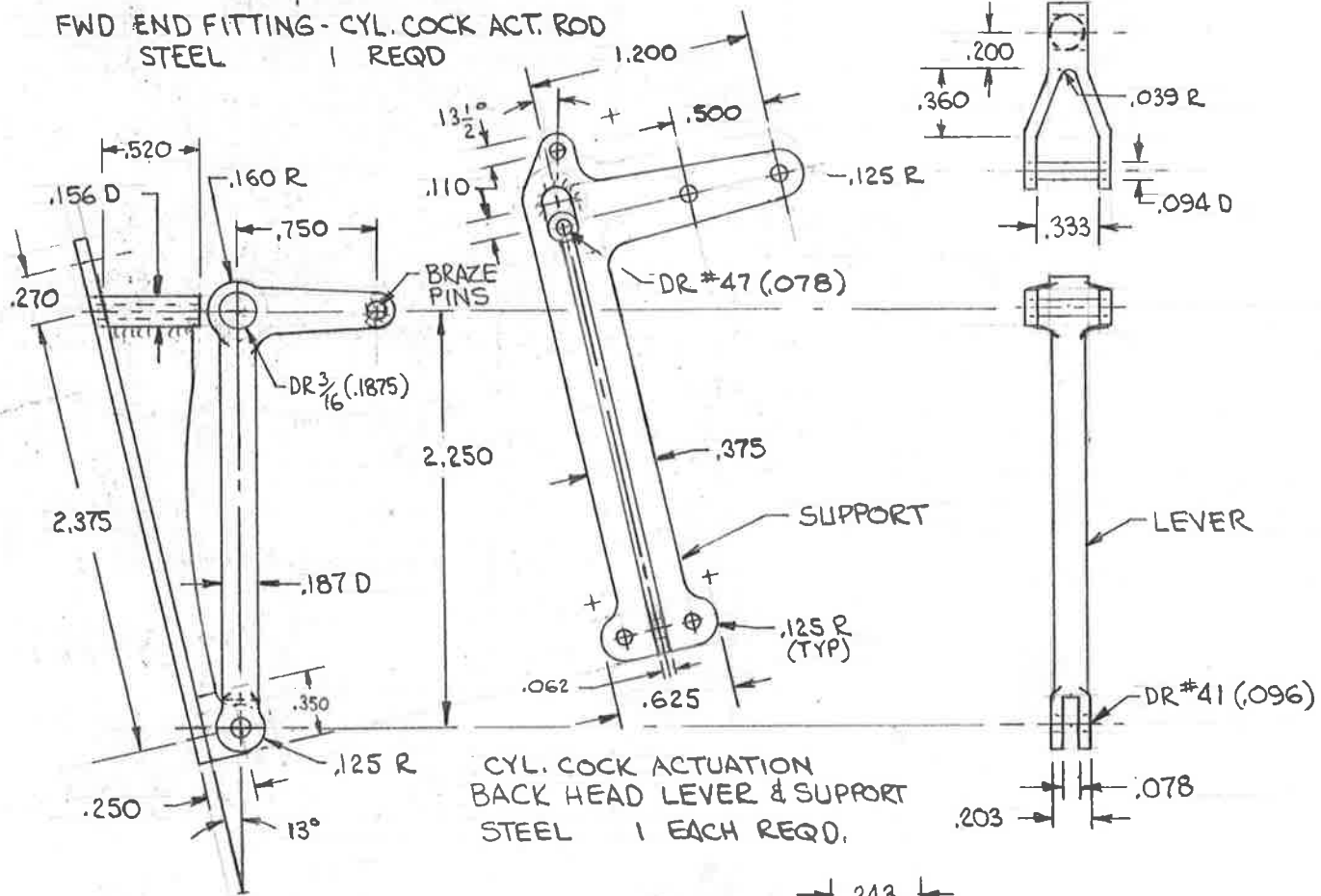
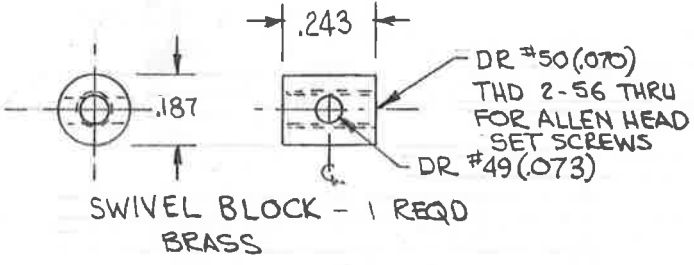
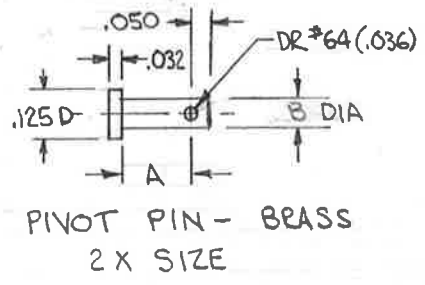


FWD END FITTING - CYL. COCK ACT. ROD
STEEL 1 REQD



DASH	A	B	REQD
-1	.175	.077	1
-2	.223	.094	1



CONTROL FITTINGS
B&O P-7 1" #5300
I.D. ALKIRE 1965