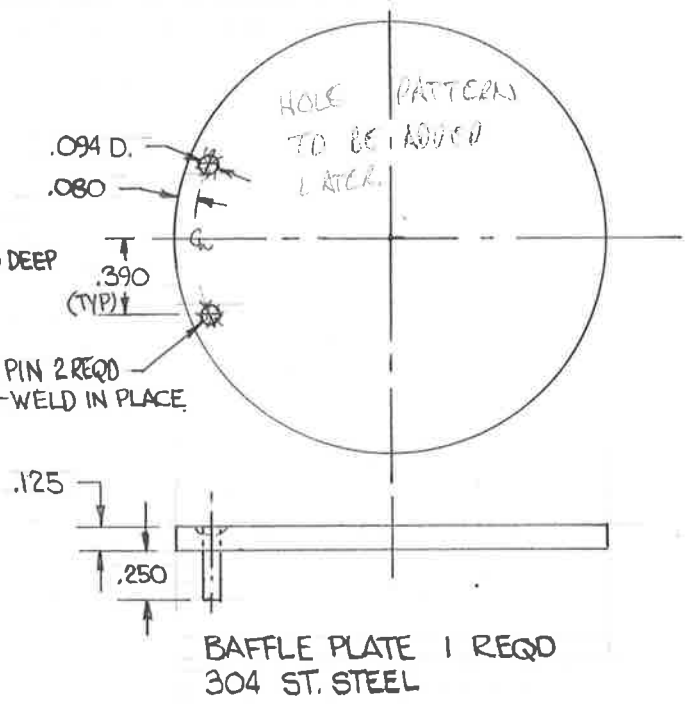
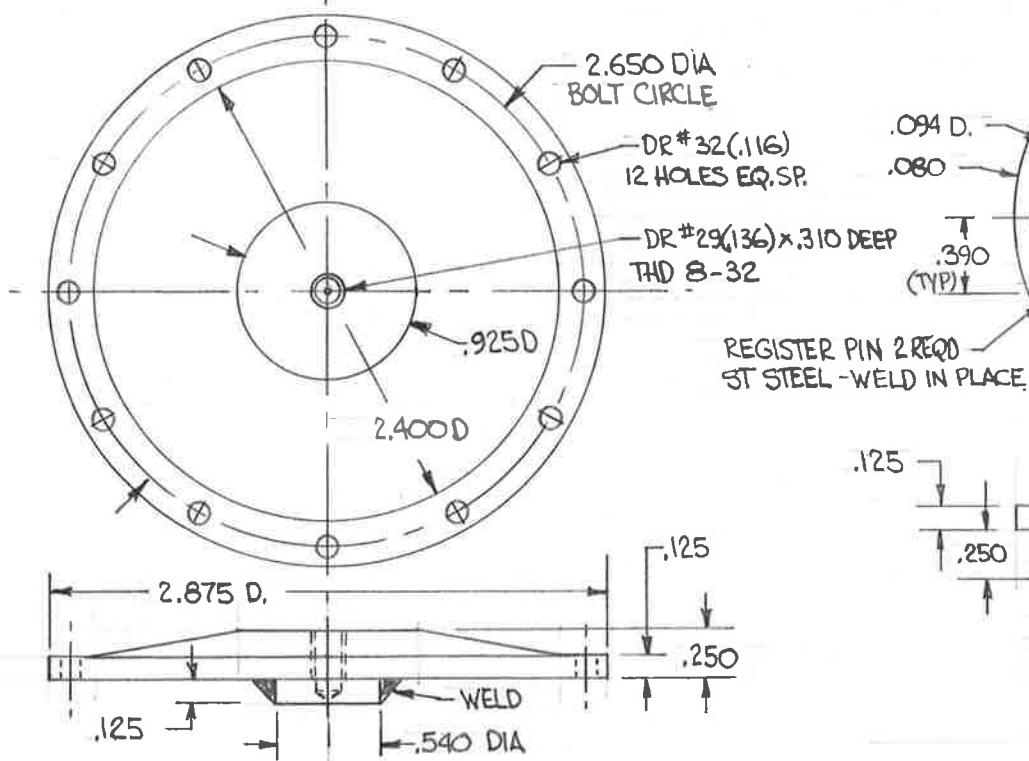
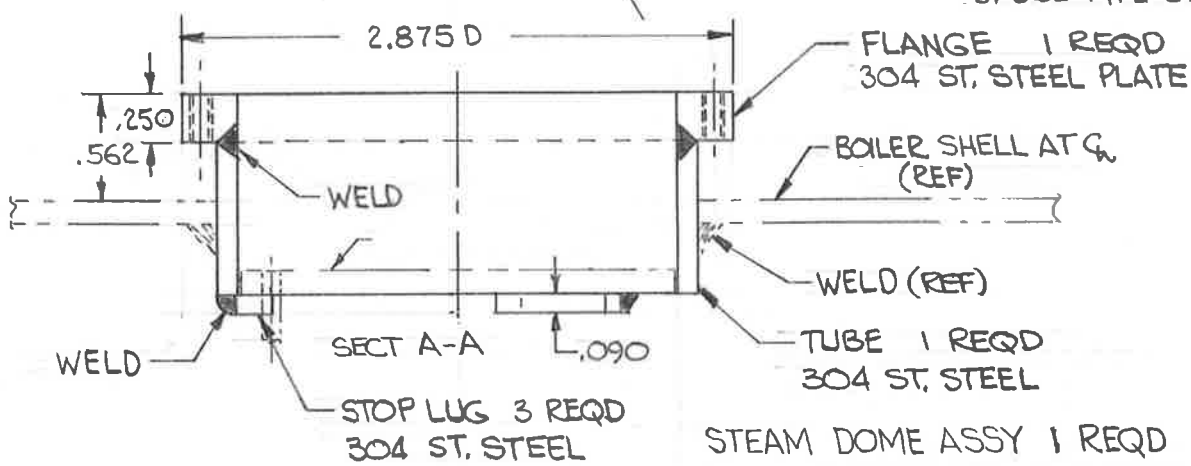


NOTE:
 1. TUBE TO BE OF 304 OR 321 ST. STEEL.
 MAY BE PROCURED FROM DICKELLS CO,
 LOS ANGELES, CALIF.
 2. DO NOT TURN FROM 303 ST. STL. BAR.
 3. USE TYPE 316 ST. STL. WELD ROD



STEAM DOME (INSIDE)
 B&O P-7 #5300 1"
 I.D. ALKIRE 1963