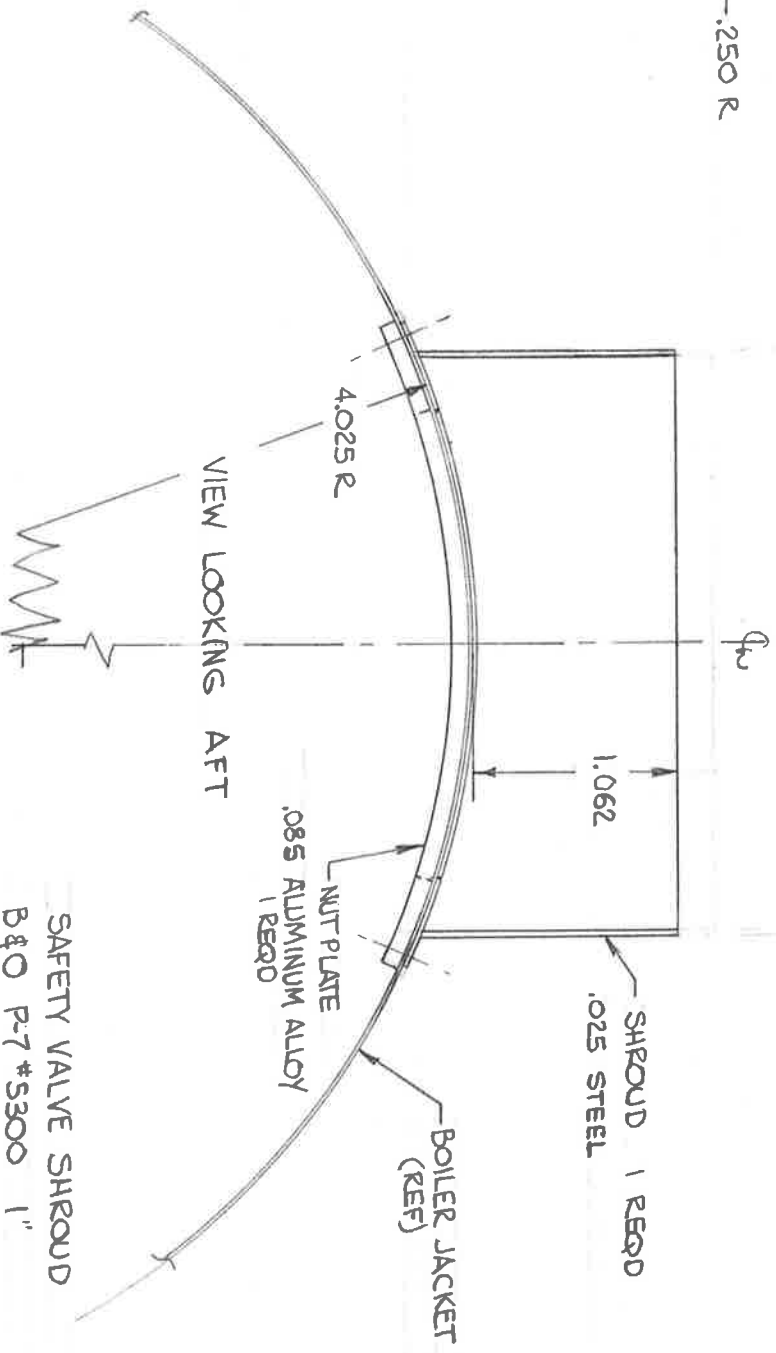
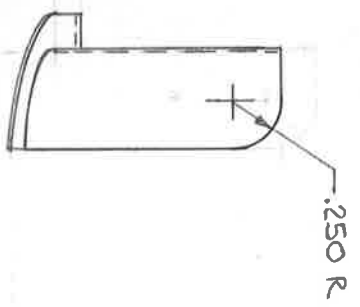


DR #56 THRU ALL PARTS
DR #1/8 THRU SHROUD
THD 0-80 6 PLACES

NUTPLATE (REF)
NOTE: ATTACH TO JACKET
WITH #24 ESC, PINS FLUSH
ON OUTSIDE



SAFETY VALVE SHROUD
B & O P-7 #5300 1"
AUG 17, 1964 ALK:RE