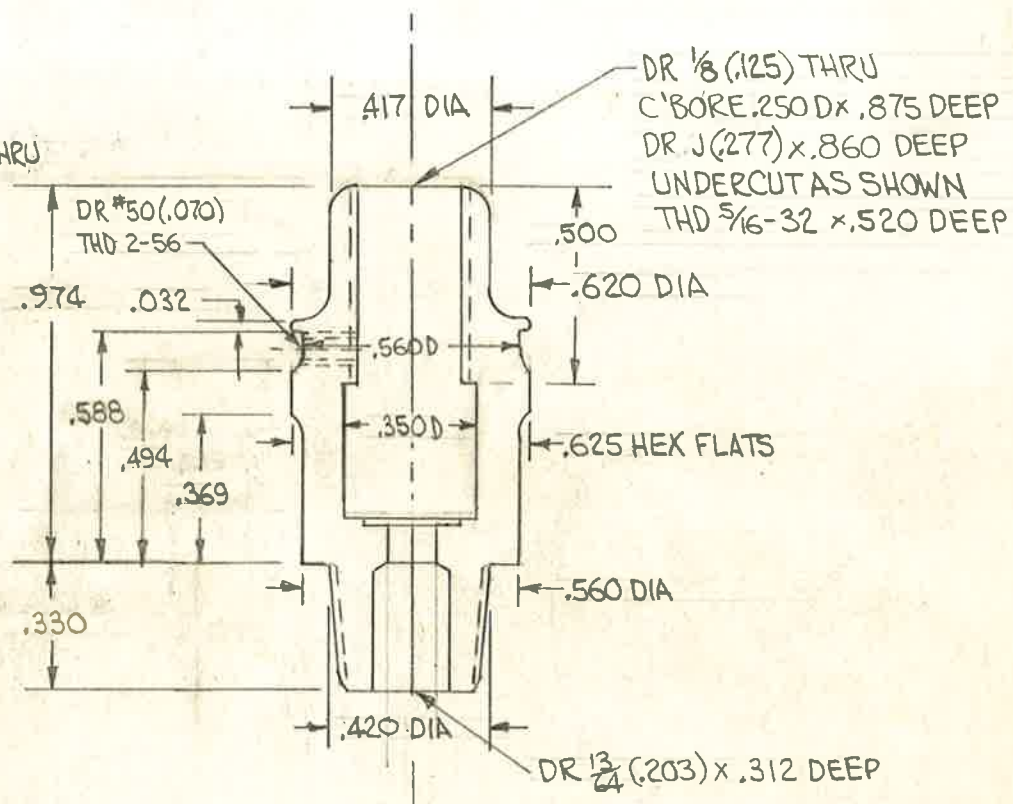
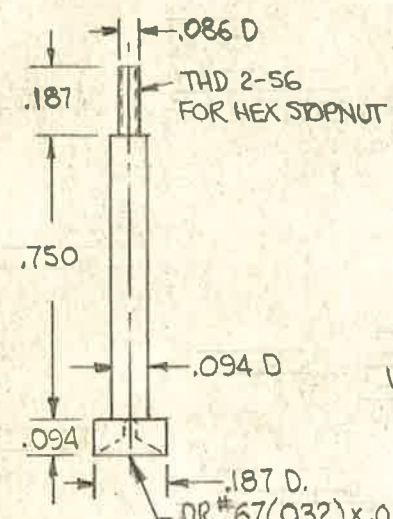


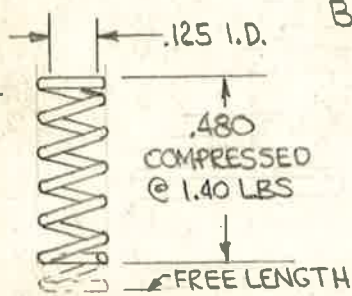
SLEEVE - 1 REQD
ALUM BRONZE



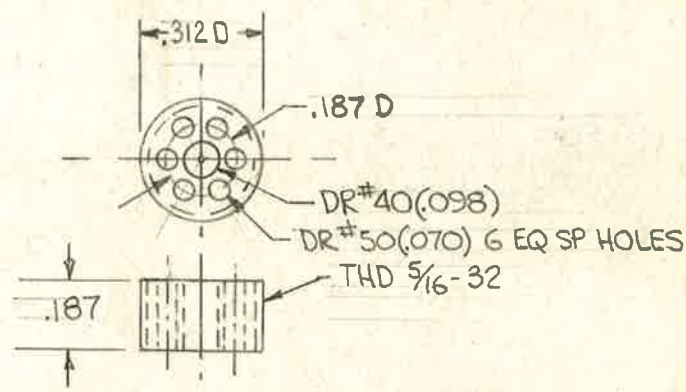
BODY - 1 REQD
ALUM BRONZE



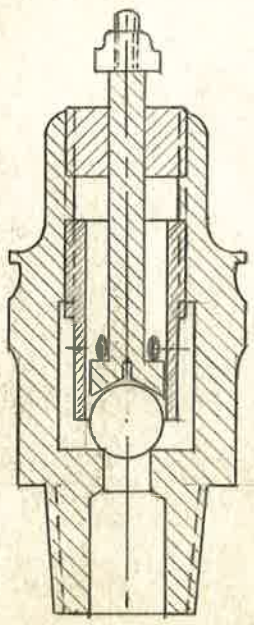
LOADING PIN - 1 REQD
304 ST. STEEL



SPRING 1 REQD
17-7 ST. STEEL WIRE
.037 DIA.



TOP PLUG 1 REQD
ALUM BRONZE



ALTERNATE DESIGN

SAFETY VALVE
B&O P-7 #5300 1"

SCALE 2X
I. D. ALKIRE 1971